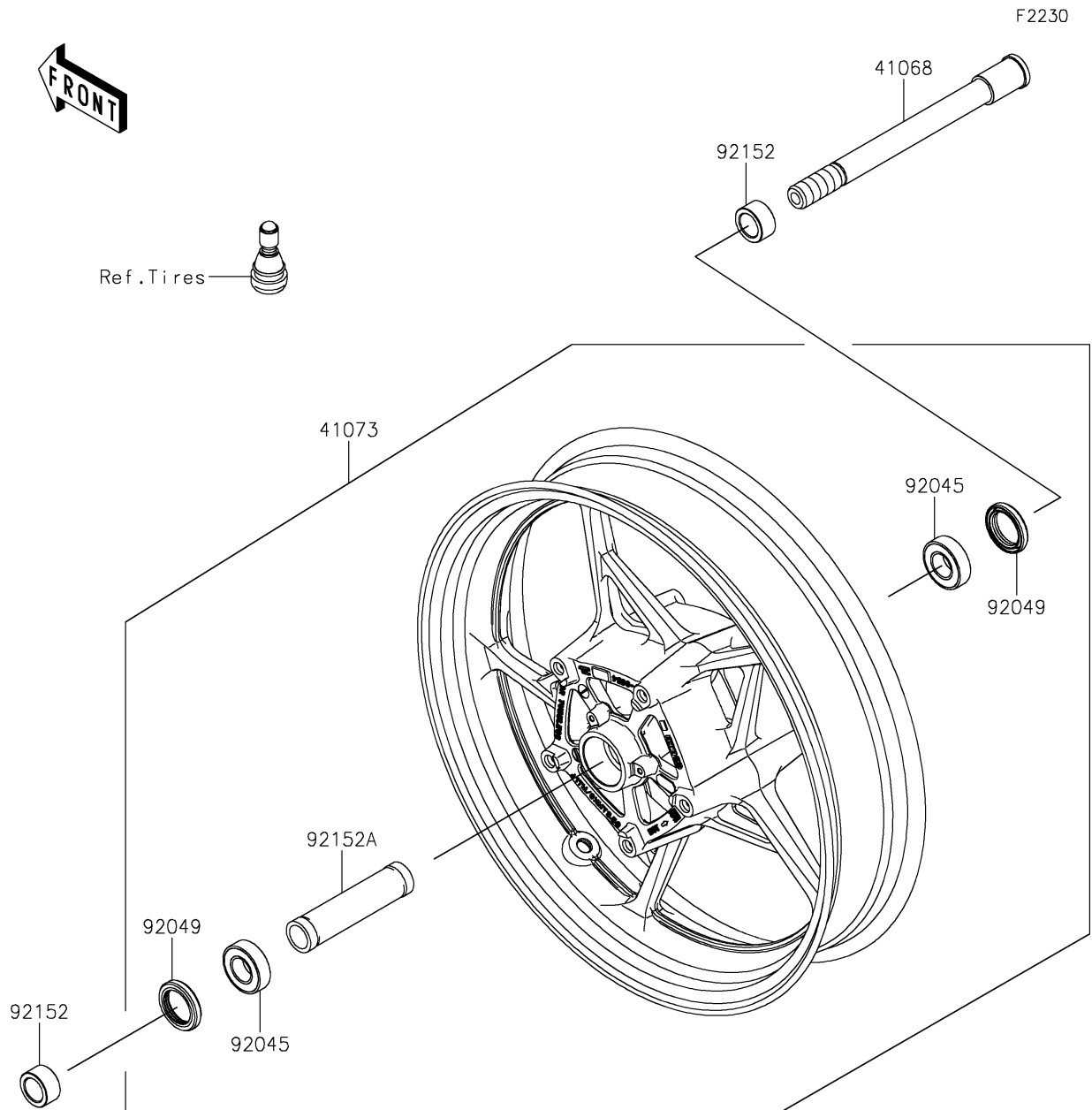


2026 NINJA® 650 ABS

PARTS DIAGRAM

Front Wheel



2026 NINJA® 650 ABS

PARTS LIST

Front Wheel

ITEM NAME	PART NUMBER	QUANTITY
-----------	-------------	----------
