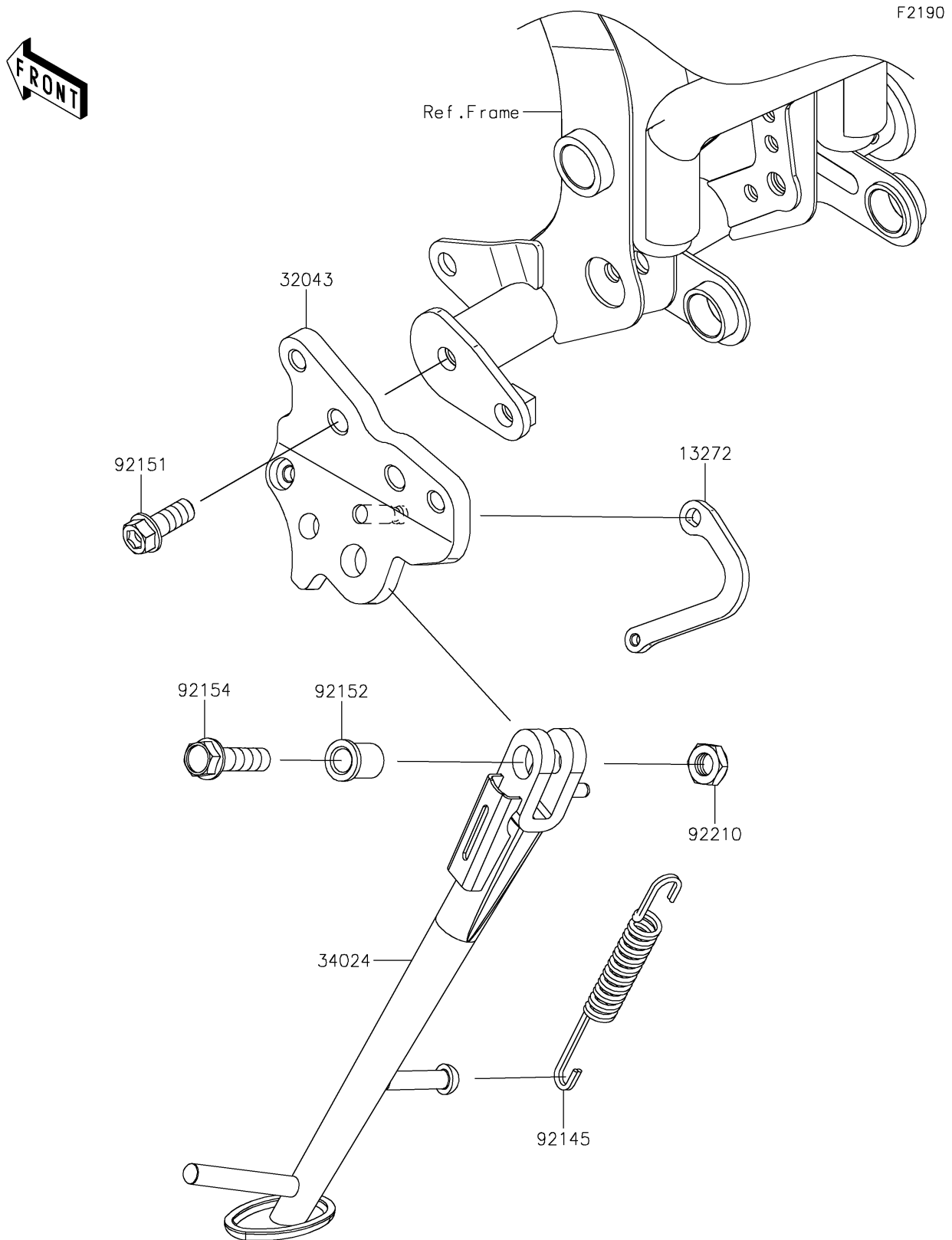


2026 NINJA® 650 ABS

PARTS DIAGRAM

Stand(s)



2026 NINJA® 650 ABS

PARTS LIST

Stand(s)

ITEM NAME

PART NUMBER

QUANTITY
