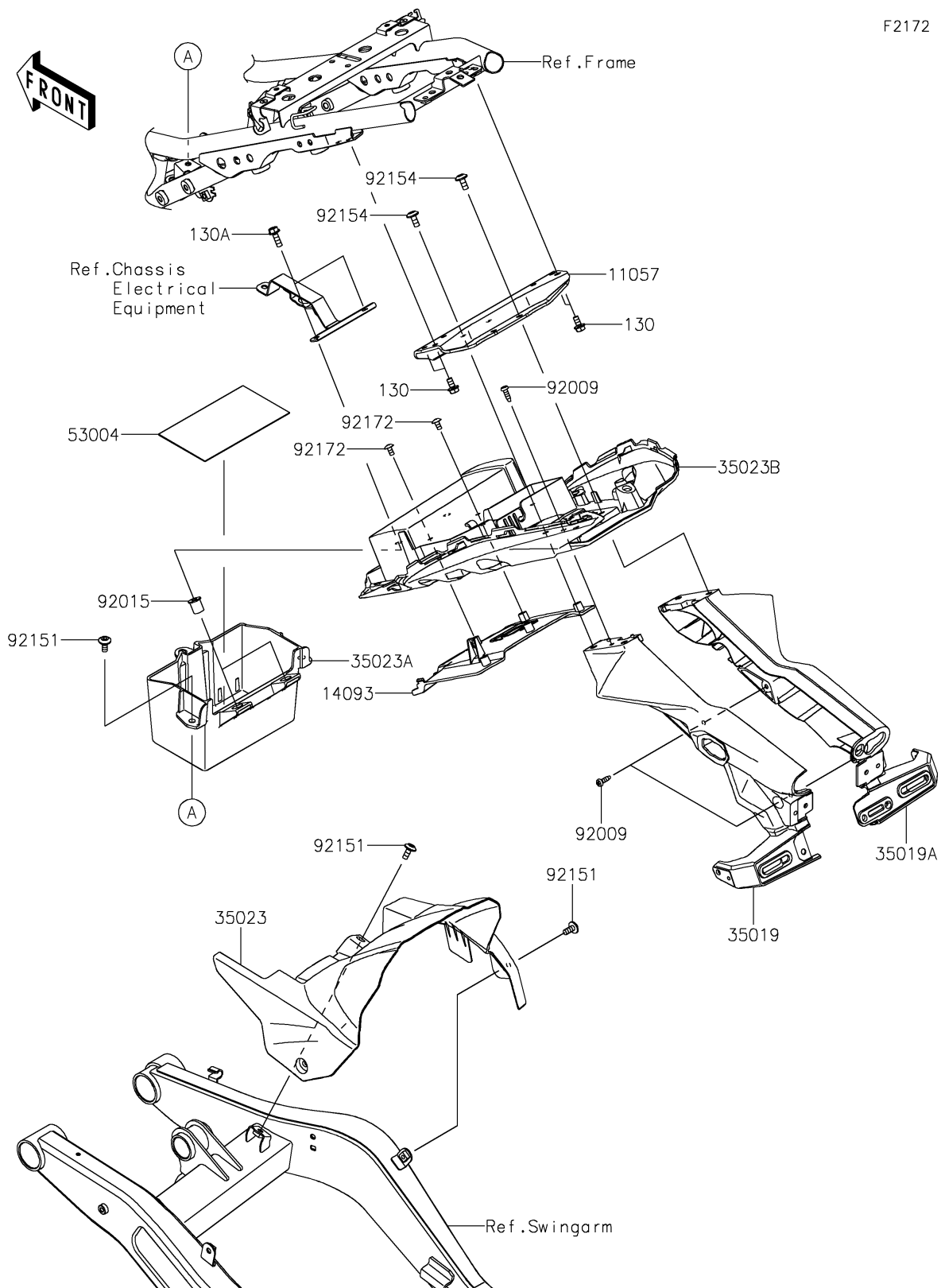


2026 NINJA® 650 ABS

PARTS DIAGRAM

Rear Fender(s)

F2172



2026 NINJA® 650 ABS

PARTS LIST

Rear Fender(s)

ITEM NAME	PART NUMBER	QUANTITY
-----------	-------------	----------
