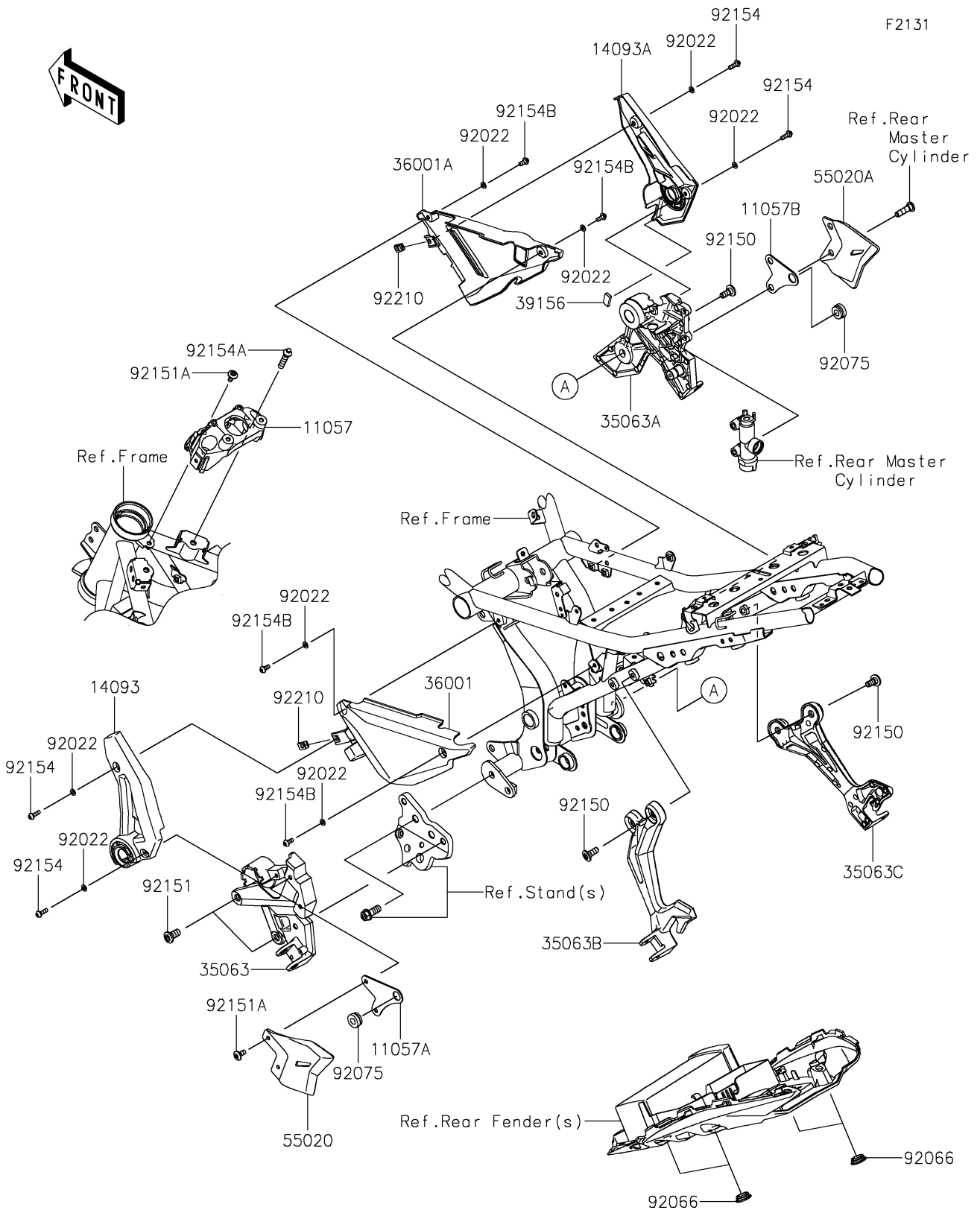


# 2026 NINJA® 650 ABS

## PARTS DIAGRAM

### Frame Fittings



# 2026 NINJA® 650 ABS

## PARTS LIST Frame Fittings



ITEM NAME	PART NUMBER	QUANTITY
-----------	-------------	----------

---