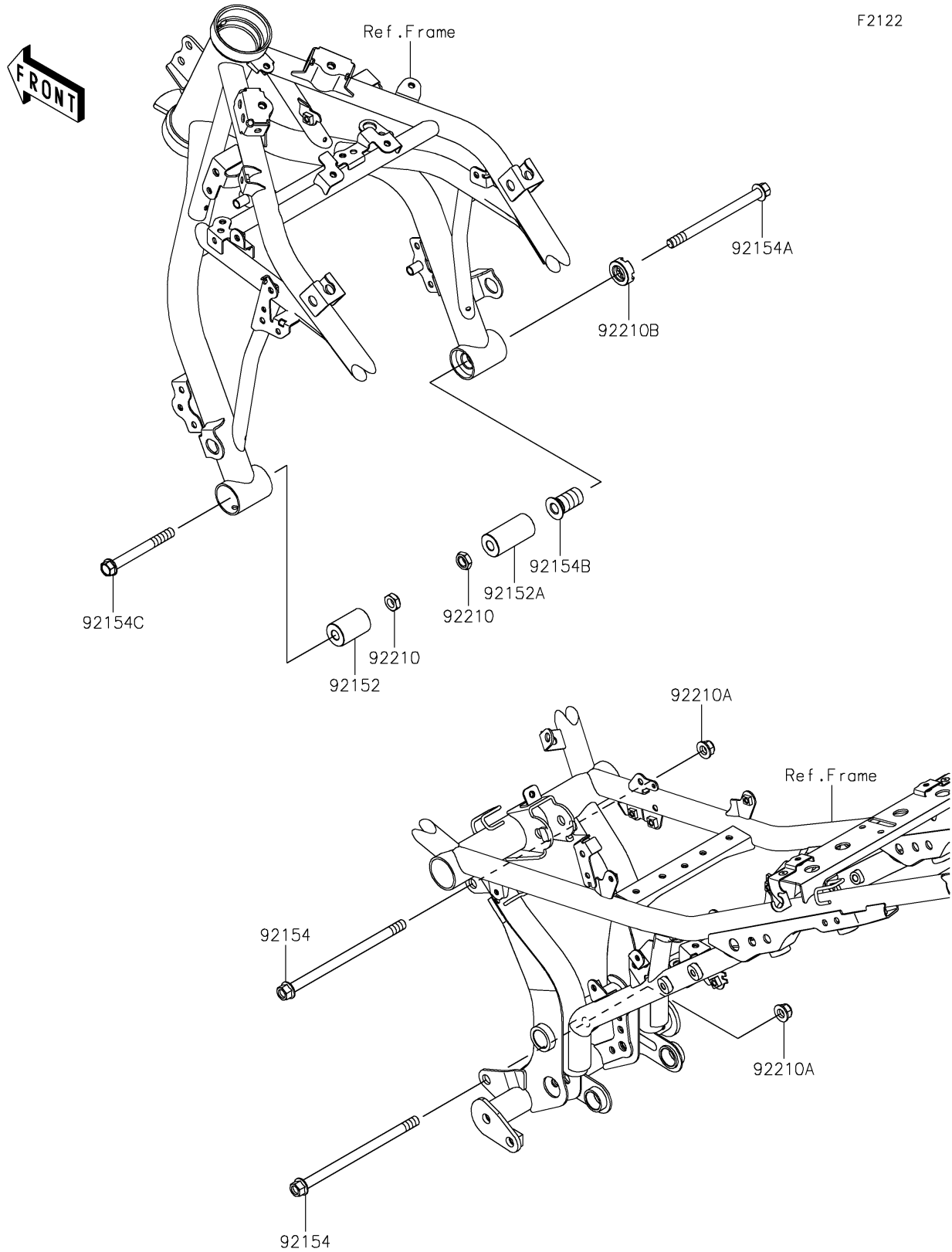


# 2026 NINJA® 650 ABS

## PARTS DIAGRAM

### Engine Mount



# 2026 NINJA® 650 ABS

## PARTS LIST

### Engine Mount

**ITEM NAME**

**PART NUMBER**

**QUANTITY**

---