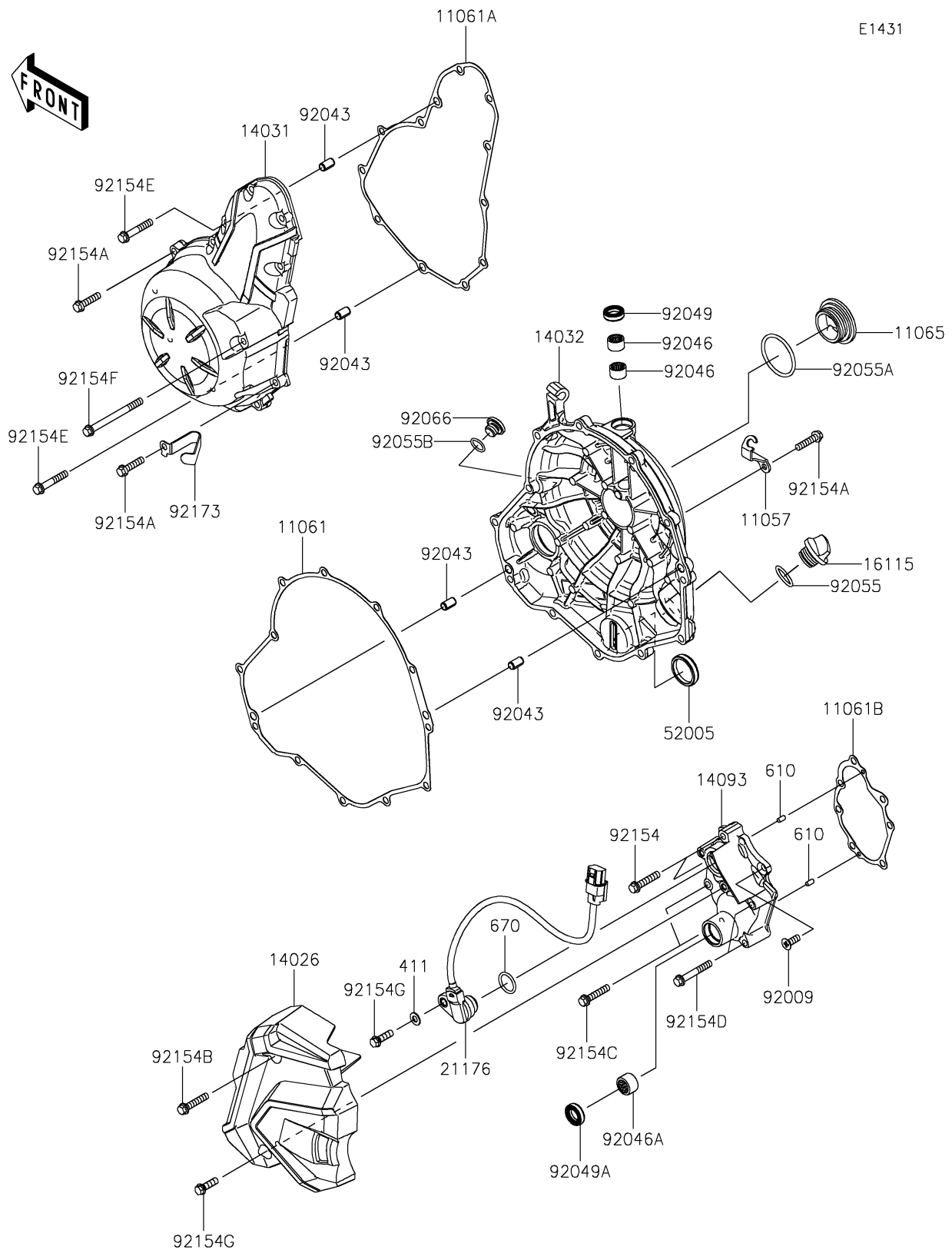


2026 NINJA® 650 ABS

PARTS DIAGRAM

Engine Cover(s)



2026 NINJA® 650 ABS

PARTS LIST

Engine Cover(s)

ITEM NAME	PART NUMBER	QUANTITY
-----------	-------------	----------
