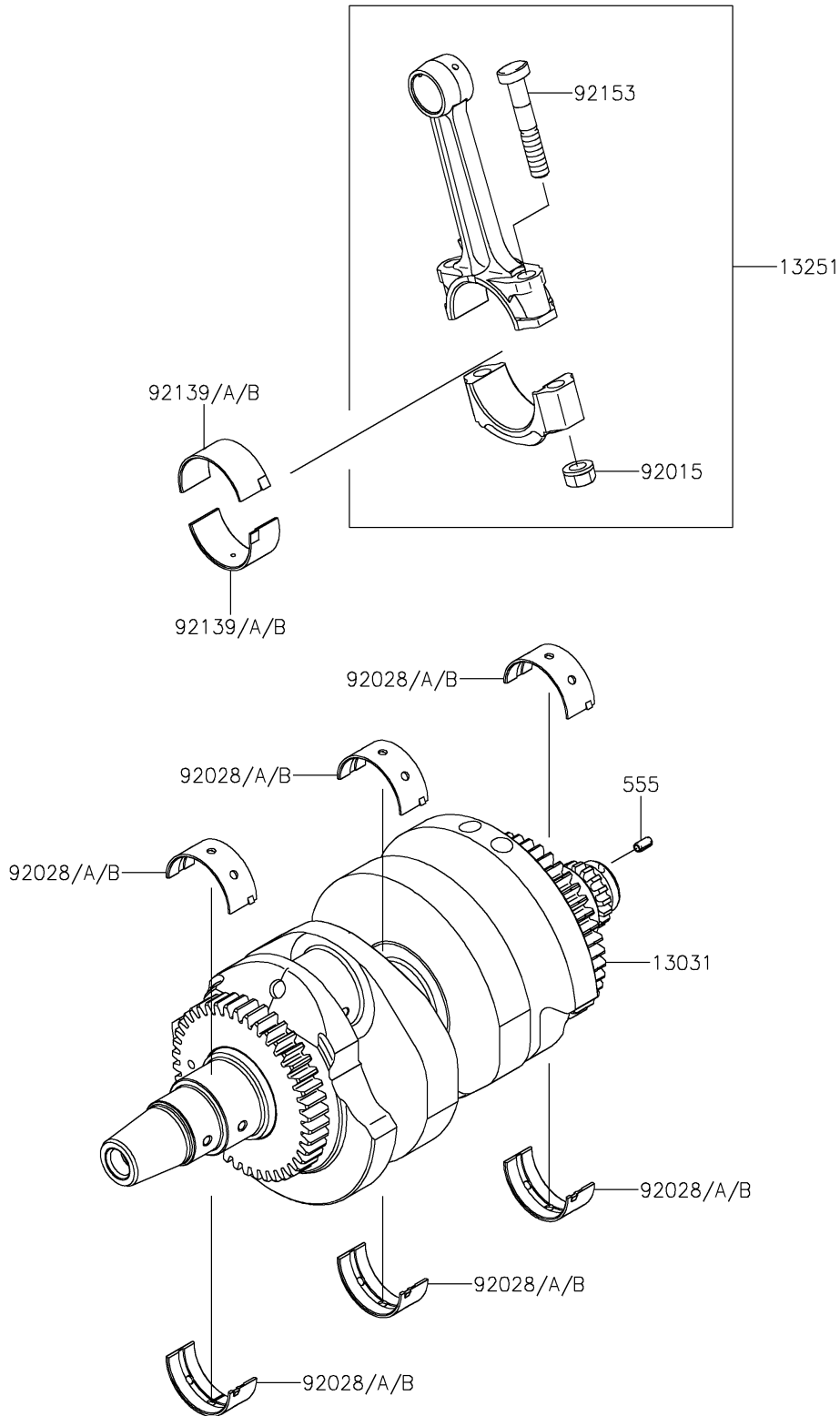


2026 NINJA® 650 ABS

PARTS DIAGRAM

Crankshaft

E1321



2026 NINJA® 650 ABS

PARTS LIST

Crankshaft

ITEM NAME

PART NUMBER

QUANTITY
