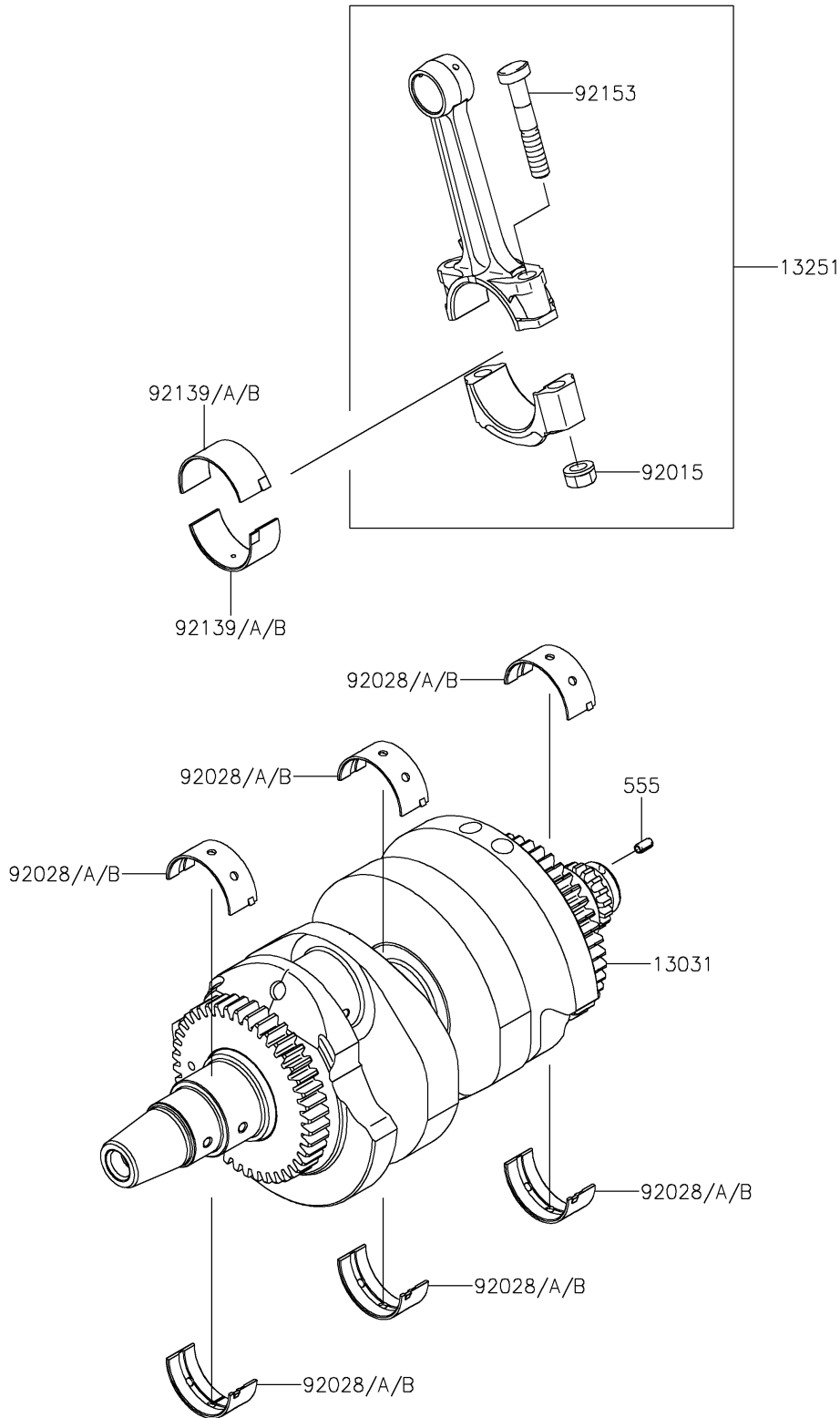


2025 NINJA® 650 KRT EDITION ABS

PARTS DIAGRAM

Crankshaft

E1321



2025 NINJA® 650 KRT EDITION ABS



PARTS LIST

Crankshaft

ITEM NAME	PART NUMBER	QUANTITY
-----------	-------------	----------
