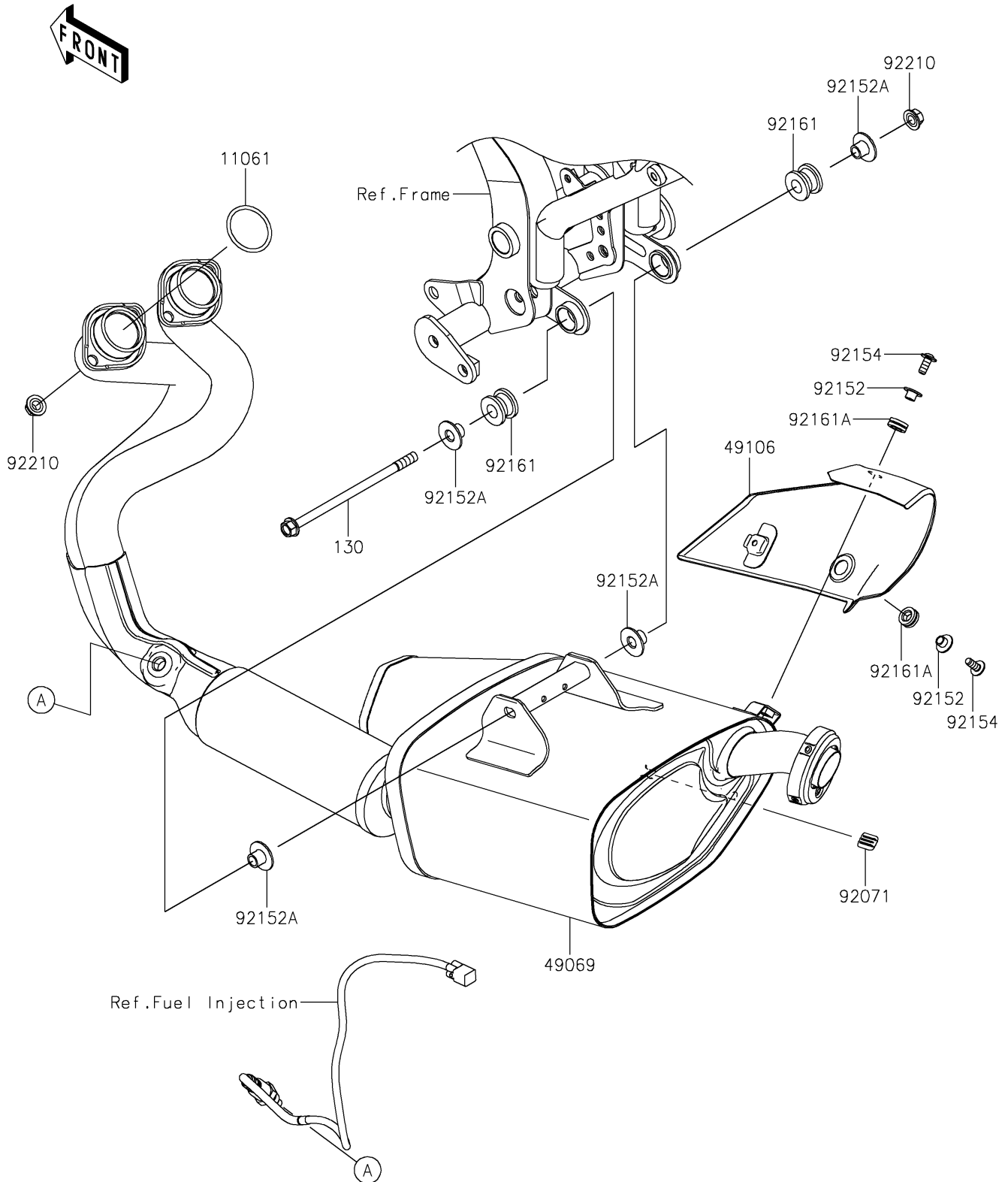


# 2026 NINJA® 650 ABS

## PARTS DIAGRAM

### Muffler(s)

E1140



# 2026 NINJA® 650 ABS

## PARTS LIST

### Muffler(s)

ITEM NAME	PART NUMBER	QUANTITY
-----------	-------------	----------

---