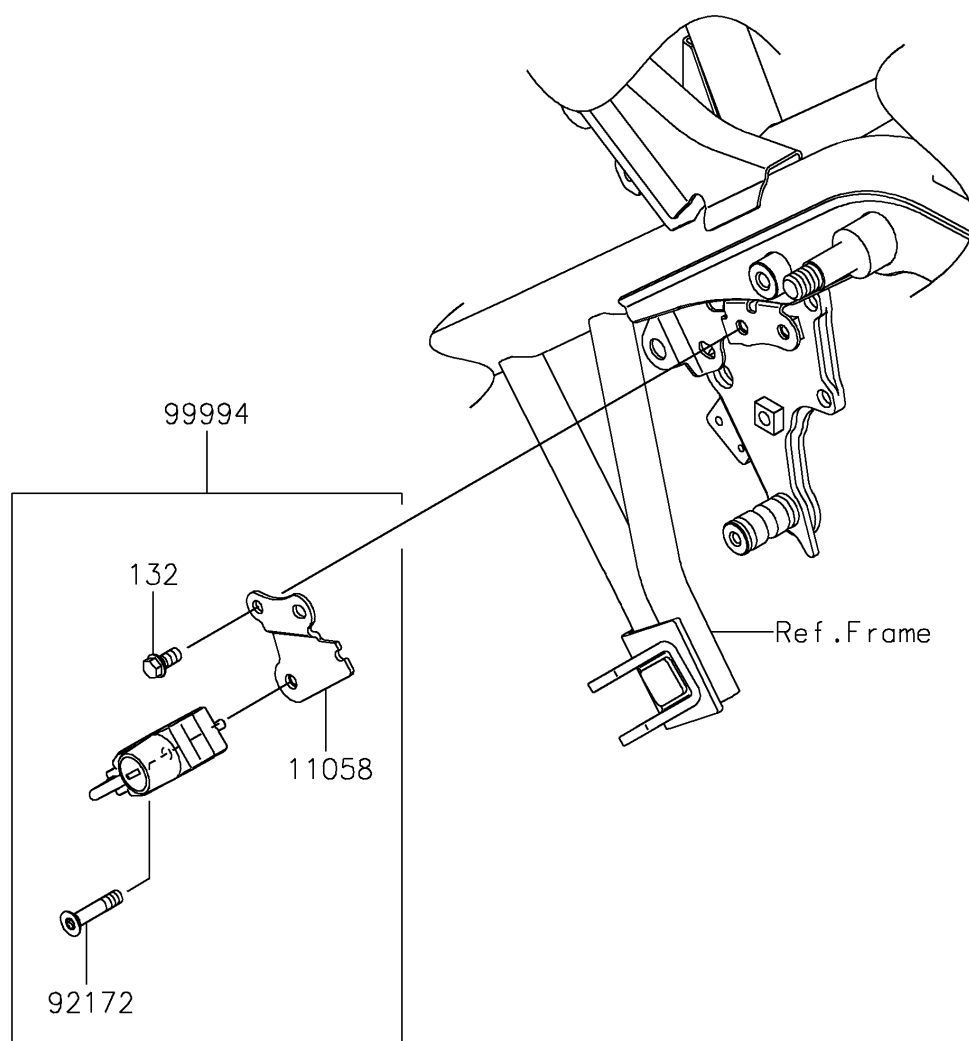


# 2024 Eliminator<sup>®</sup> SE

## PARTS DIAGRAM

Accessory(Helmet Lock)

F2910F



# 2024 Eliminator<sup>®</sup> SE

## PARTS LIST

Accessory(Helmet Lock)

**ITEM NAME**

**PART NUMBER**

**QUANTITY**

---