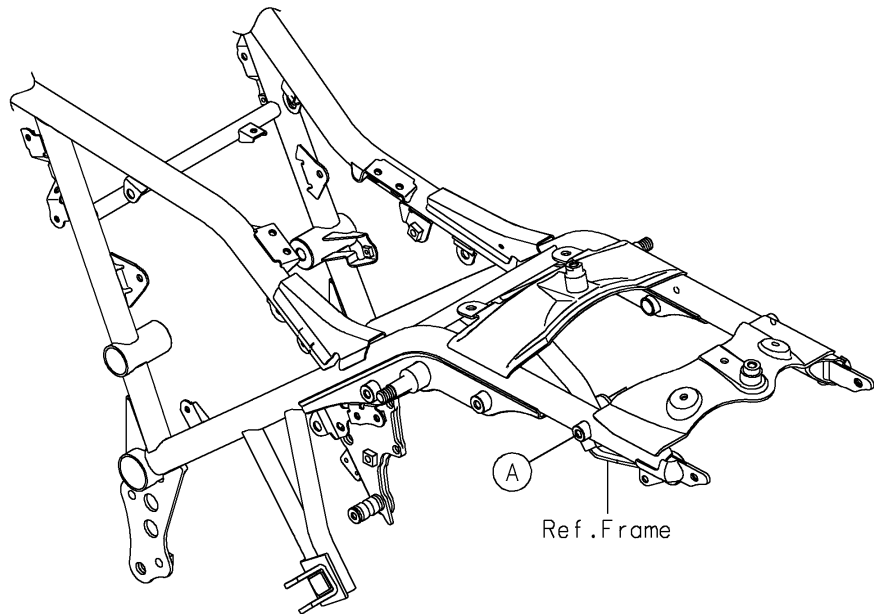


2026 ELIMINATOR[®] SE ABS

PARTS DIAGRAM

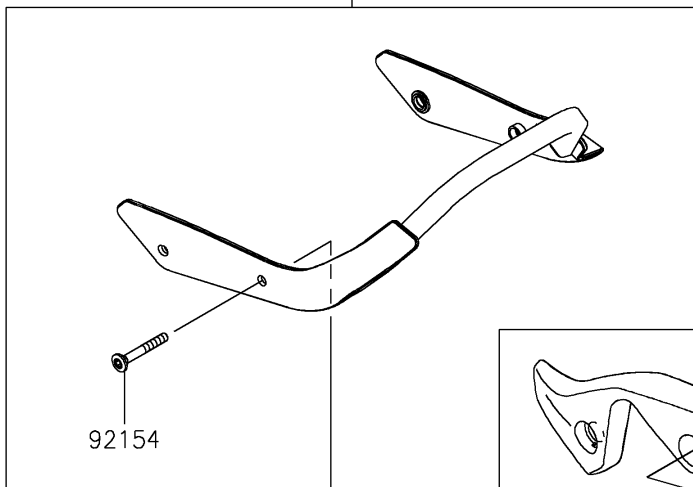
Accessory(Grab Bar)

F2910D



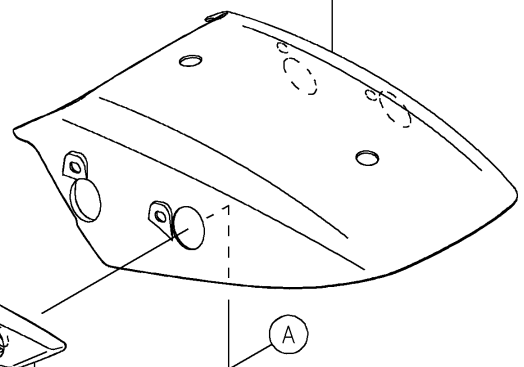
Ref. Frame

99994



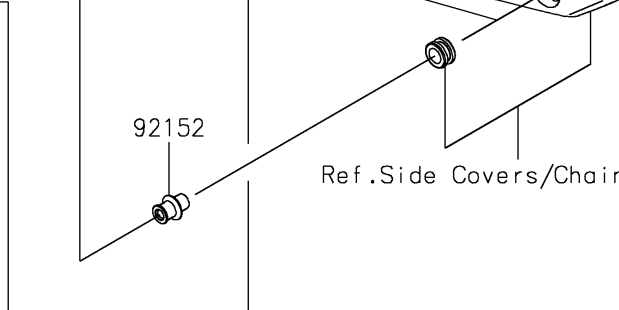
92154

Ref. Rear Fender(s)



92152

Ref. Side Covers/Chain Cover



2026 ELIMINATOR[®] SE ABS

PARTS LIST

Accessory(Grab Bar)

ITEM NAME

PART NUMBER

QUANTITY
