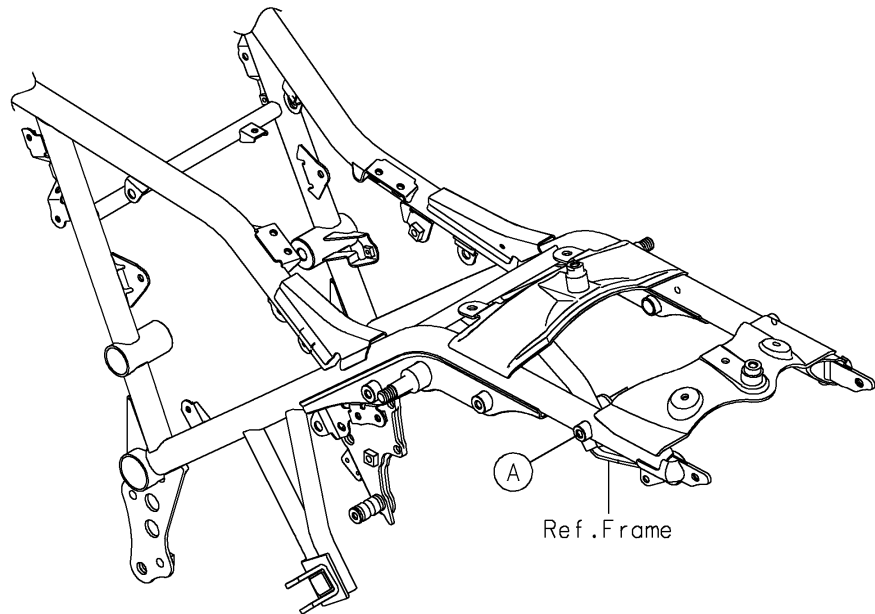


# 2025 Eliminator SE ABS

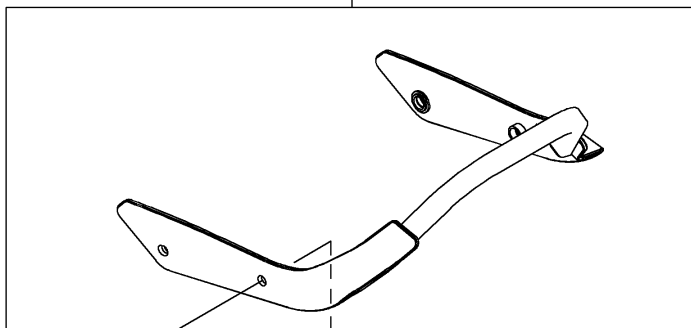
## PARTS DIAGRAM

### Accessory(Grab Bar)

F2910D

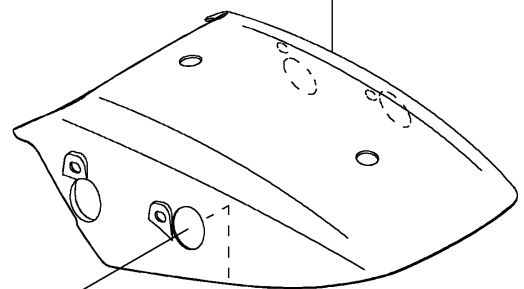


99994



92154

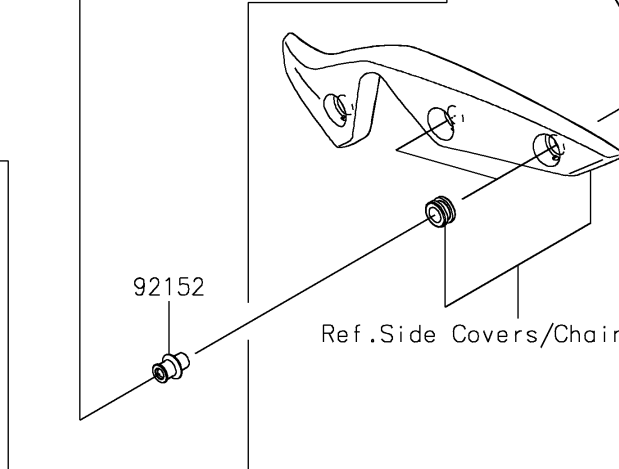
Ref. Rear Fender(s)



A

92152

Ref. Side Covers/Chain Cover



# 2025 Eliminator SE ABS

## PARTS LIST

Accessory(Grab Bar)

ITEM NAME	PART NUMBER	QUANTITY
-----------	-------------	----------

---