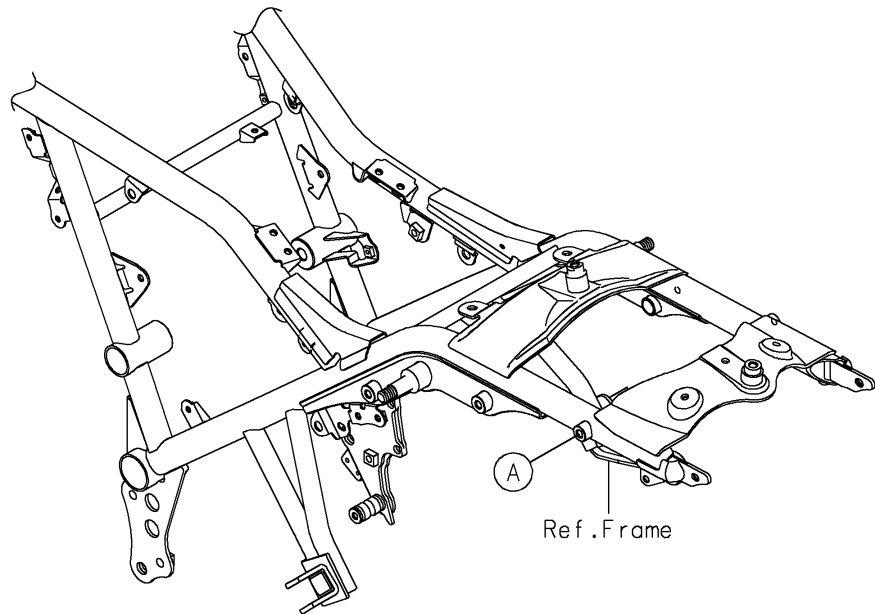


# 2026 ELIMINATOR® SE ABS

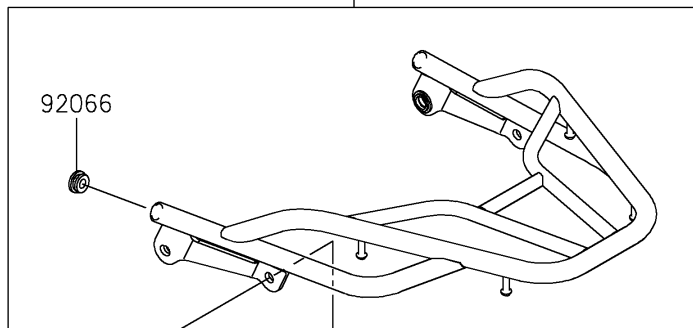
## PARTS DIAGRAM

### Accessory(Rear Carrier)

F2910C

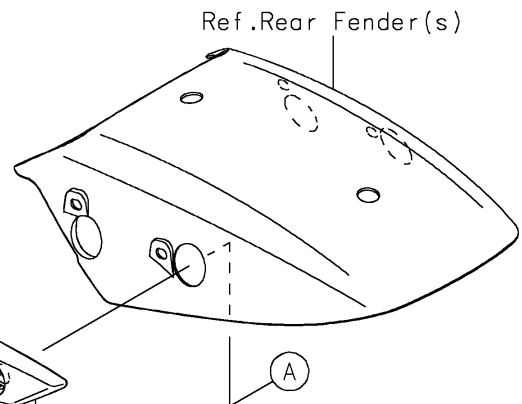


99994

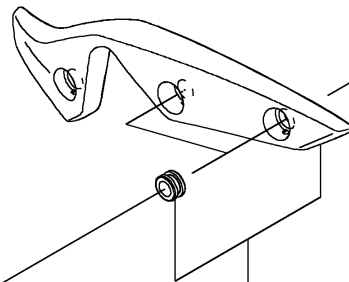


92066

92154



Ref. Rear Fender(s)



Ref. Side Covers/Chain Cover

92152

# 2026 ELIMINATOR<sup>®</sup> SE ABS

## PARTS LIST

Accessory(Rear Carrier)

ITEM NAME	PART NUMBER	QUANTITY
-----------	-------------	----------

---