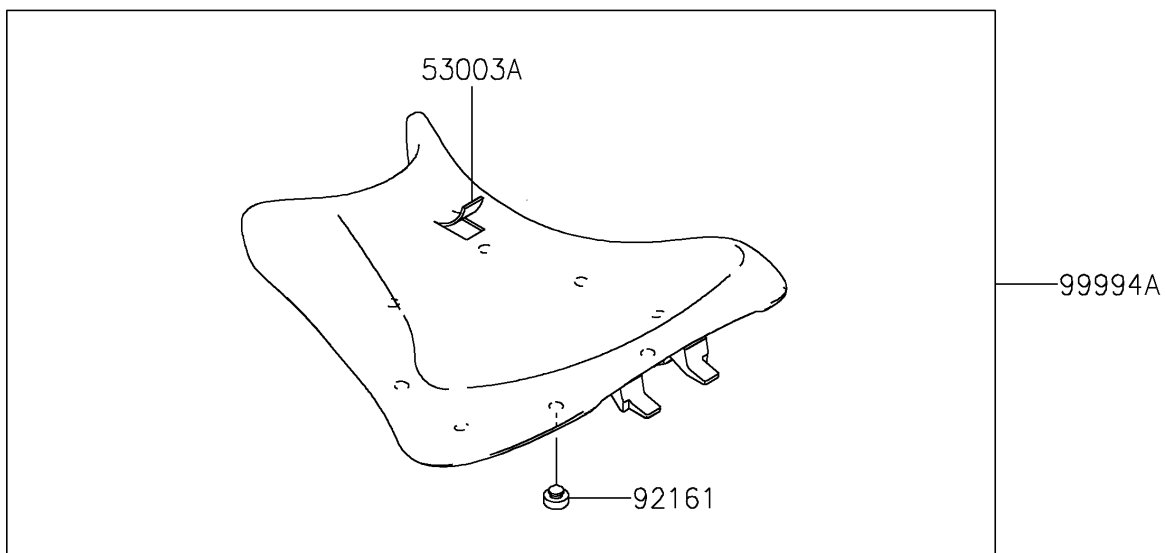
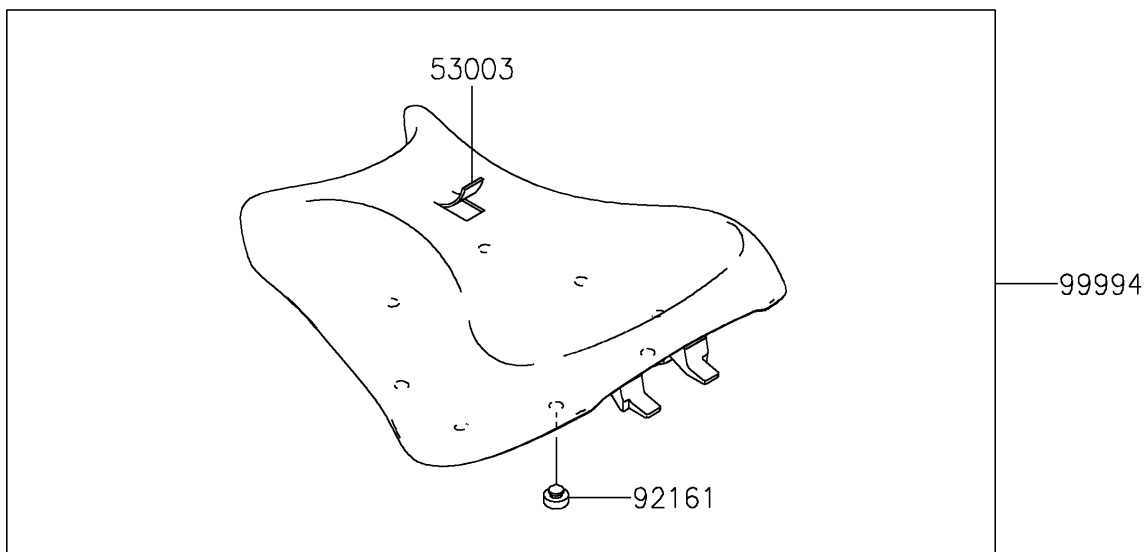


2026 ELIMINATOR® SE ABS

PARTS DIAGRAM

Accessory(Seat)

F2910B



2026 ELIMINATOR[®] SE ABS

PARTS LIST

Accessory(Seat)

ITEM NAME

PART NUMBER

QUANTITY
