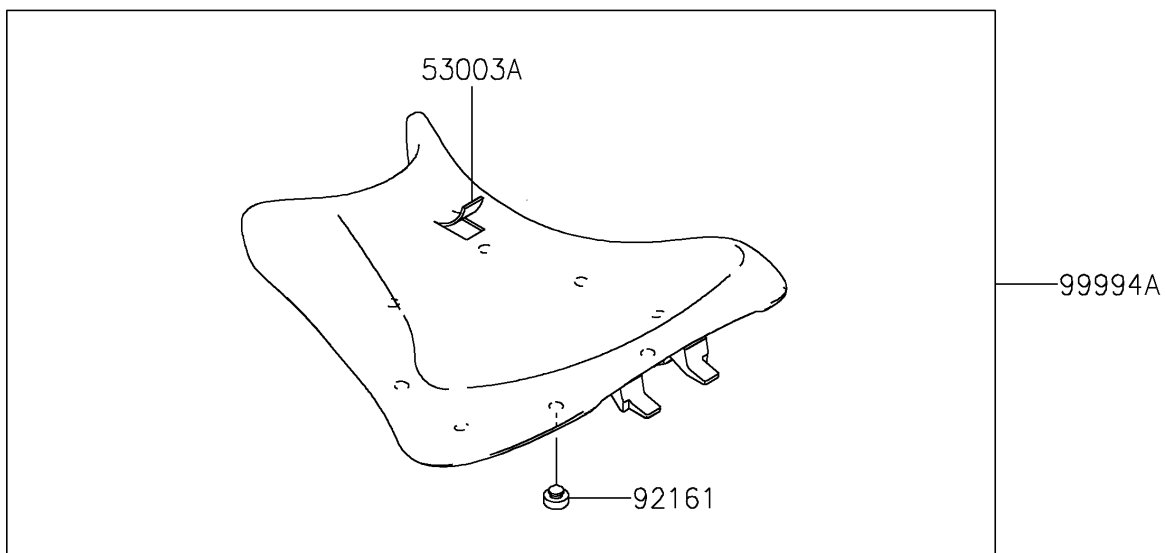
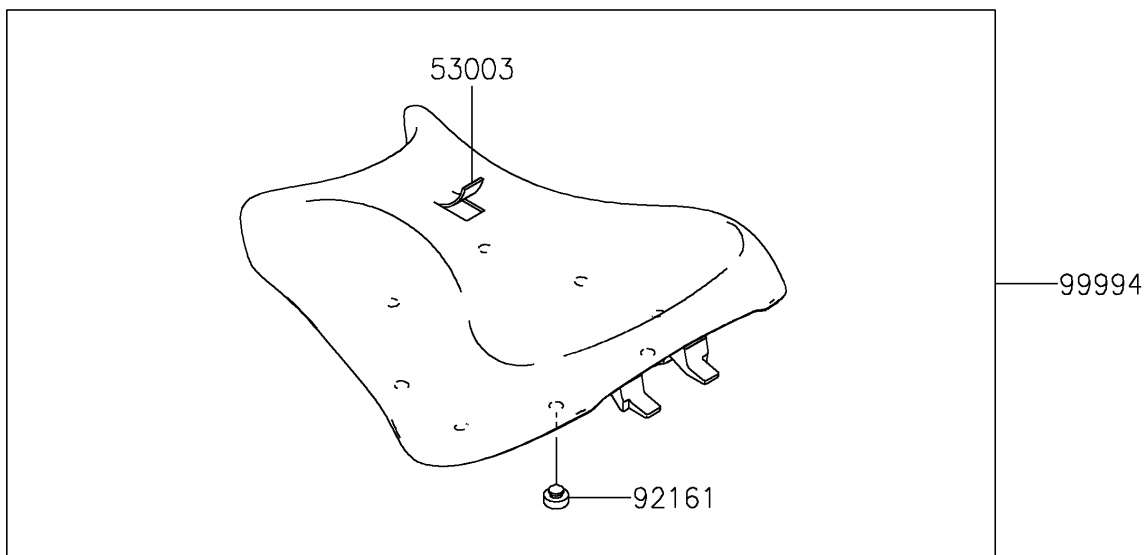


2024 Eliminator[®] SE

PARTS DIAGRAM

Accessory(Seat)

F2910B



2024 Eliminator[®] SE

PARTS LIST

Accessory(Seat)

ITEM NAME

PART NUMBER

QUANTITY
