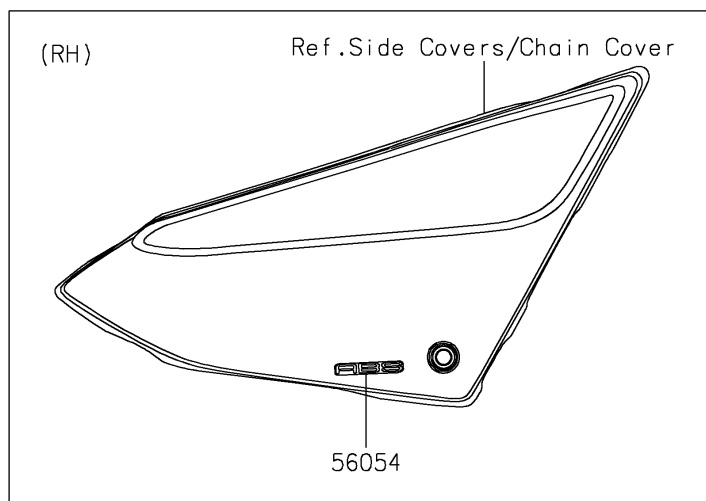
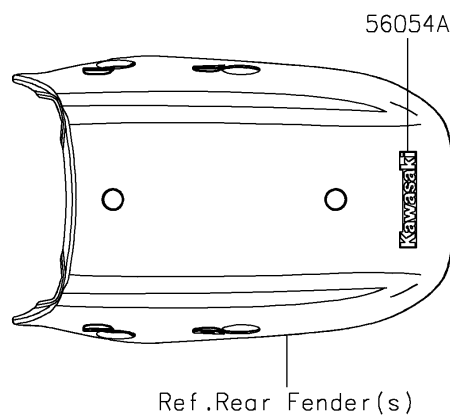
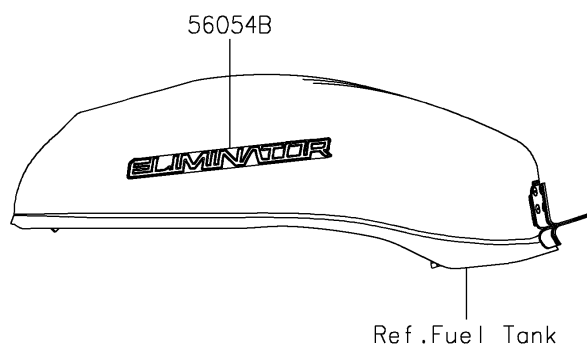


# 2026 ELIMINATOR® SE ABS

## PARTS DIAGRAM

Decals(Blue/Ebony)(BSFNN/BSFNL)(CA,US)

F2861C



# 2026 ELIMINATOR<sup>®</sup> SE ABS

## PARTS LIST

Decals(Blue/Ebony)(BSFNN/BSFNL)(CA,US)

**ITEM NAME**

**PART NUMBER**

**QUANTITY**

---