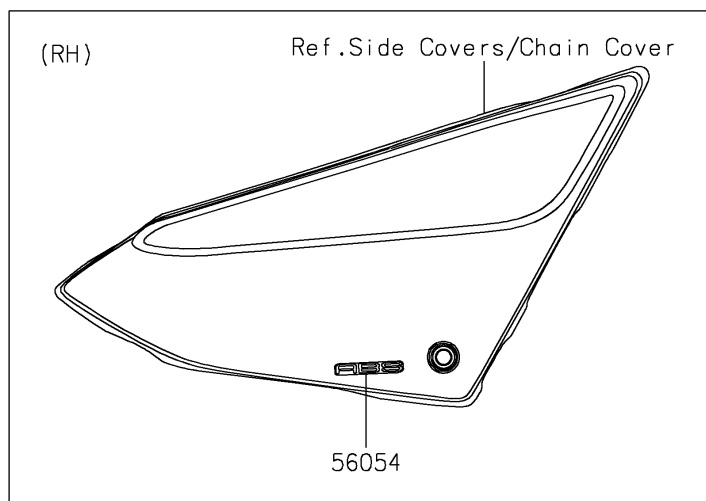
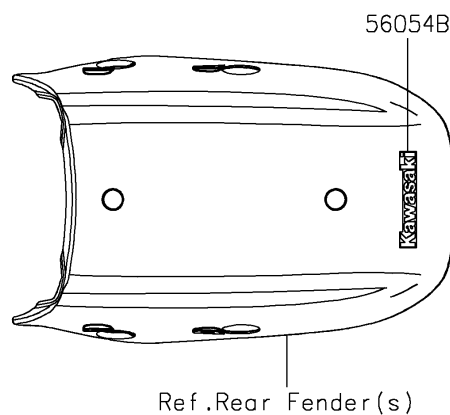
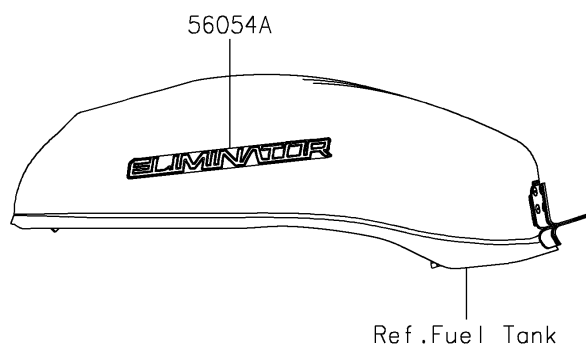


2026 ELIMINATOR® SE ABS

PARTS DIAGRAM

Decals(Ebony/Gray)(BSFNN)(CN)

F2861A



2026 ELIMINATOR[®] SE ABS

PARTS LIST

Decals(Ebony/Gray)(BSFNN)(CN)

ITEM NAME

PART NUMBER

QUANTITY
