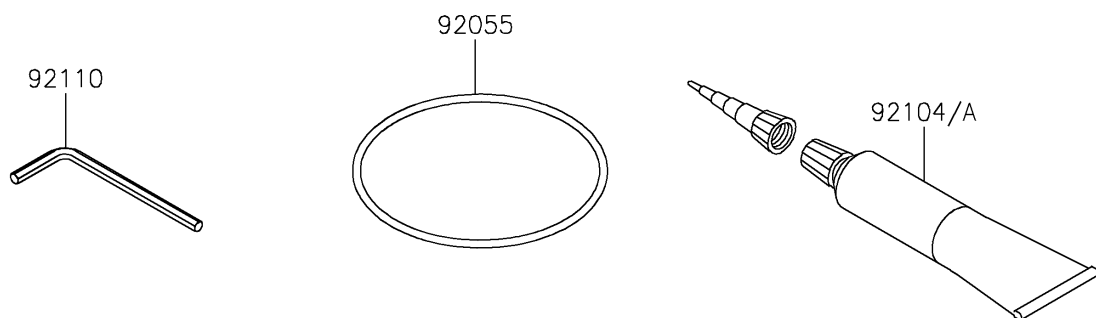
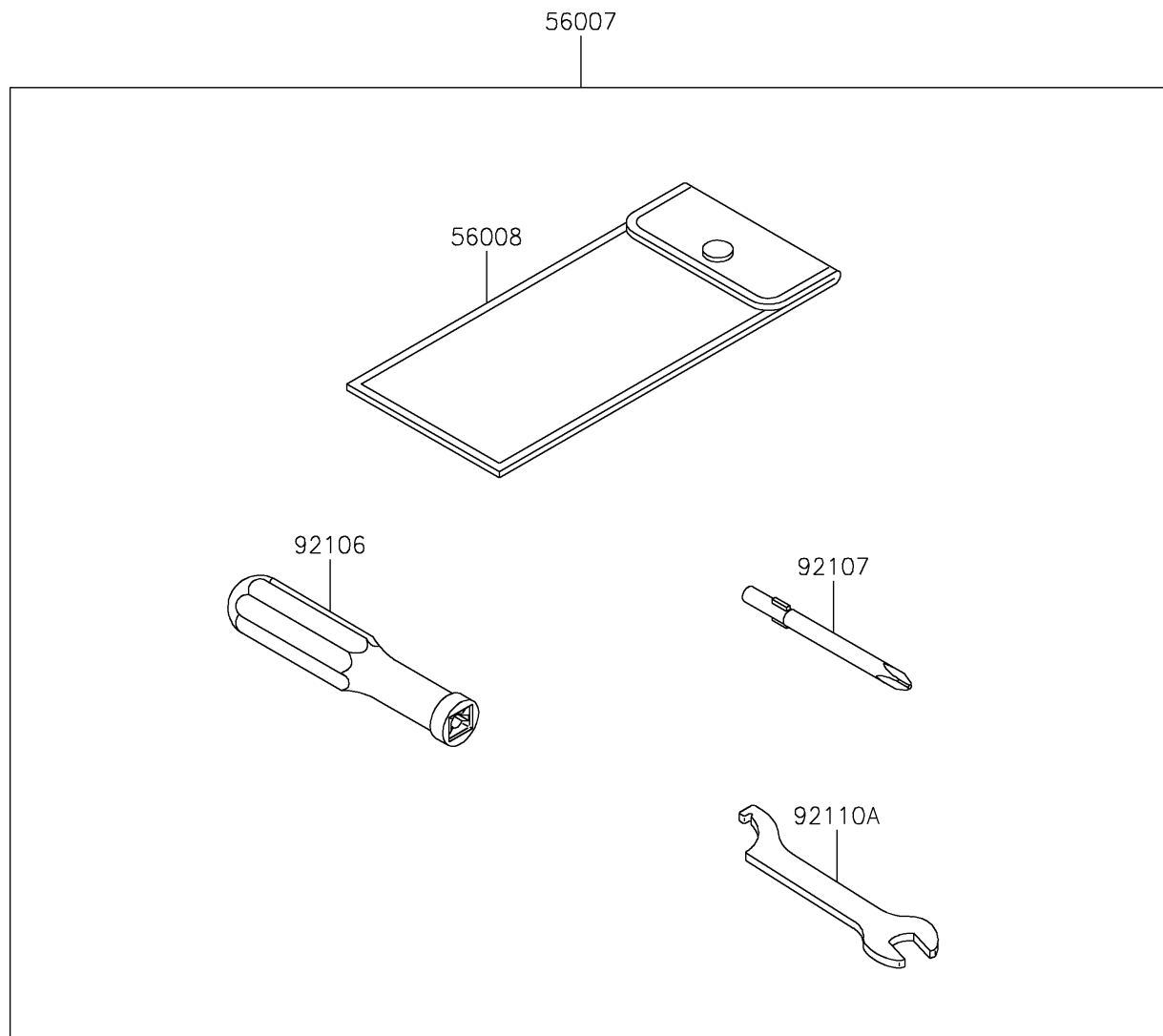


2026 ELIMINATOR[®] SE ABS

PARTS DIAGRAM

Owner's Tools

F2810



2026 ELIMINATOR[®] SE ABS

PARTS LIST Owner's Tools



ITEM NAME

PART NUMBER

QUANTITY
