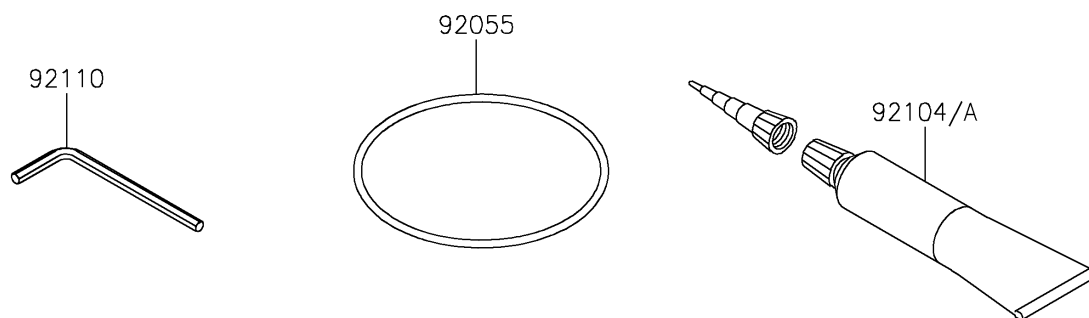
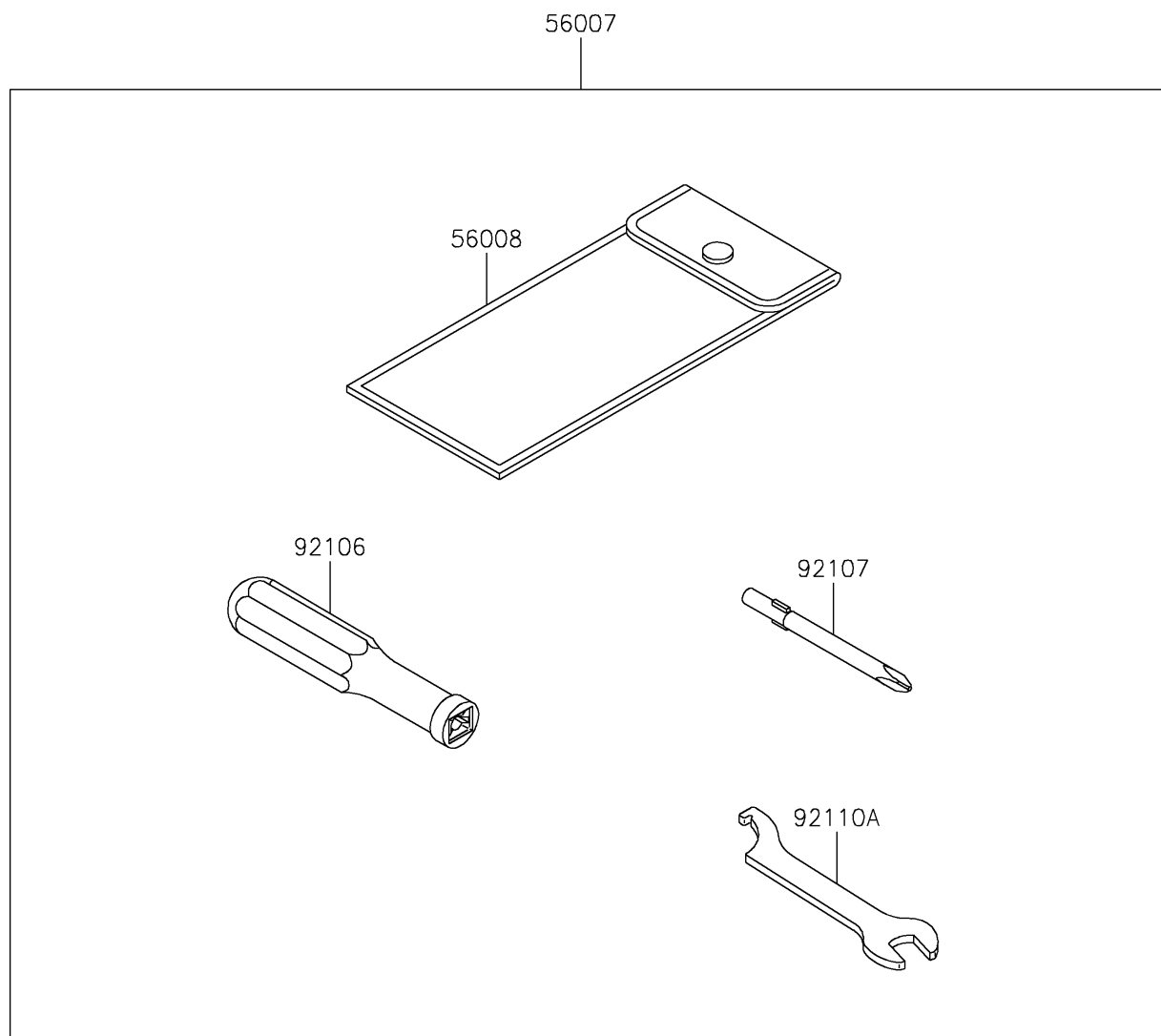


2024 Eliminator® SE

PARTS DIAGRAM

Owner's Tools

F2810



2024 Eliminator[®] SE

PARTS LIST

Owner's Tools

ITEM NAME

PART NUMBER

QUANTITY
