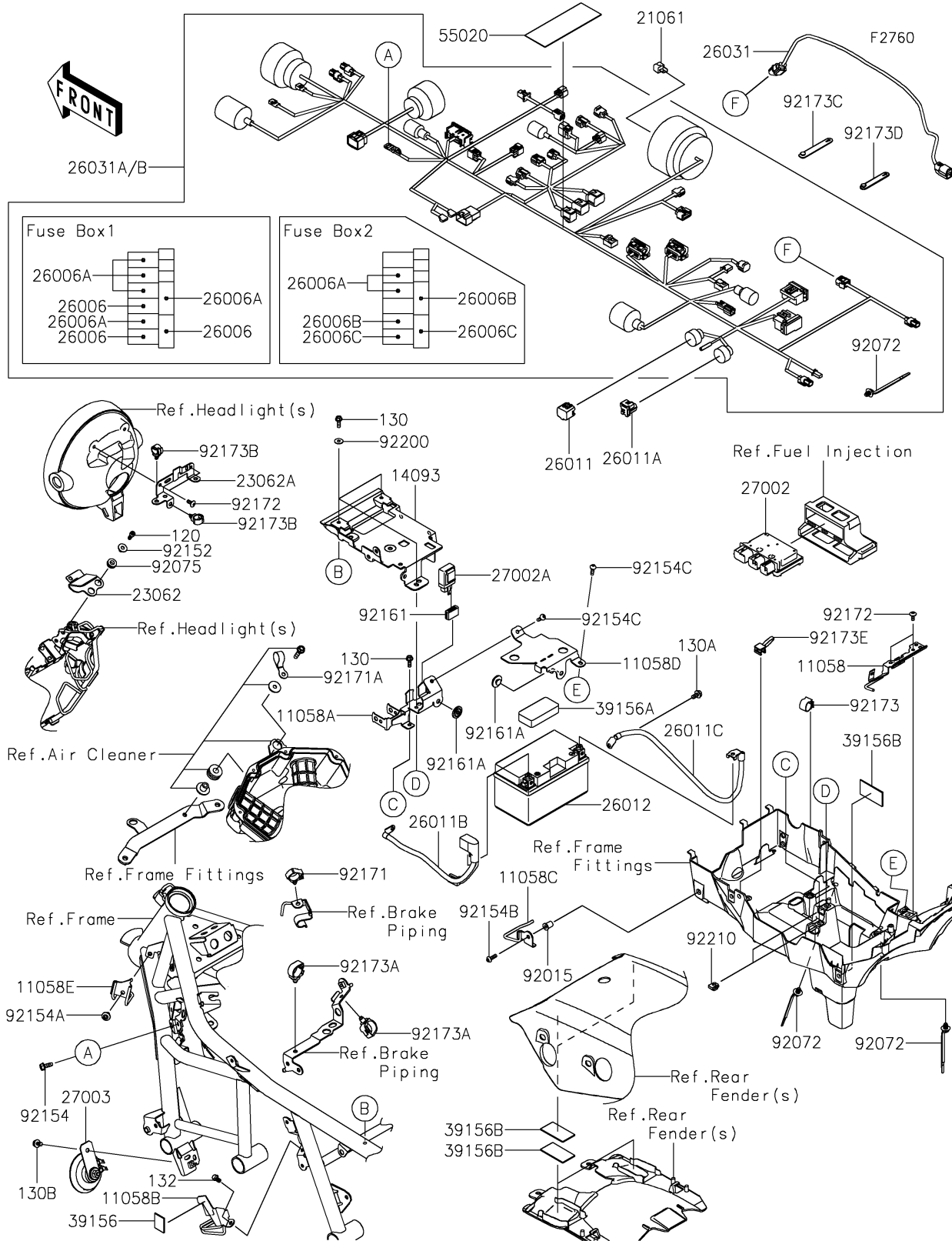


2025 Eliminator SE ABS

PARTS DIAGRAM

Chassis Electrical Equipment



2025 Eliminator SE ABS

PARTS LIST

Chassis Electrical Equipment

ITEM NAME	PART NUMBER	QUANTITY
-----------	-------------	----------
