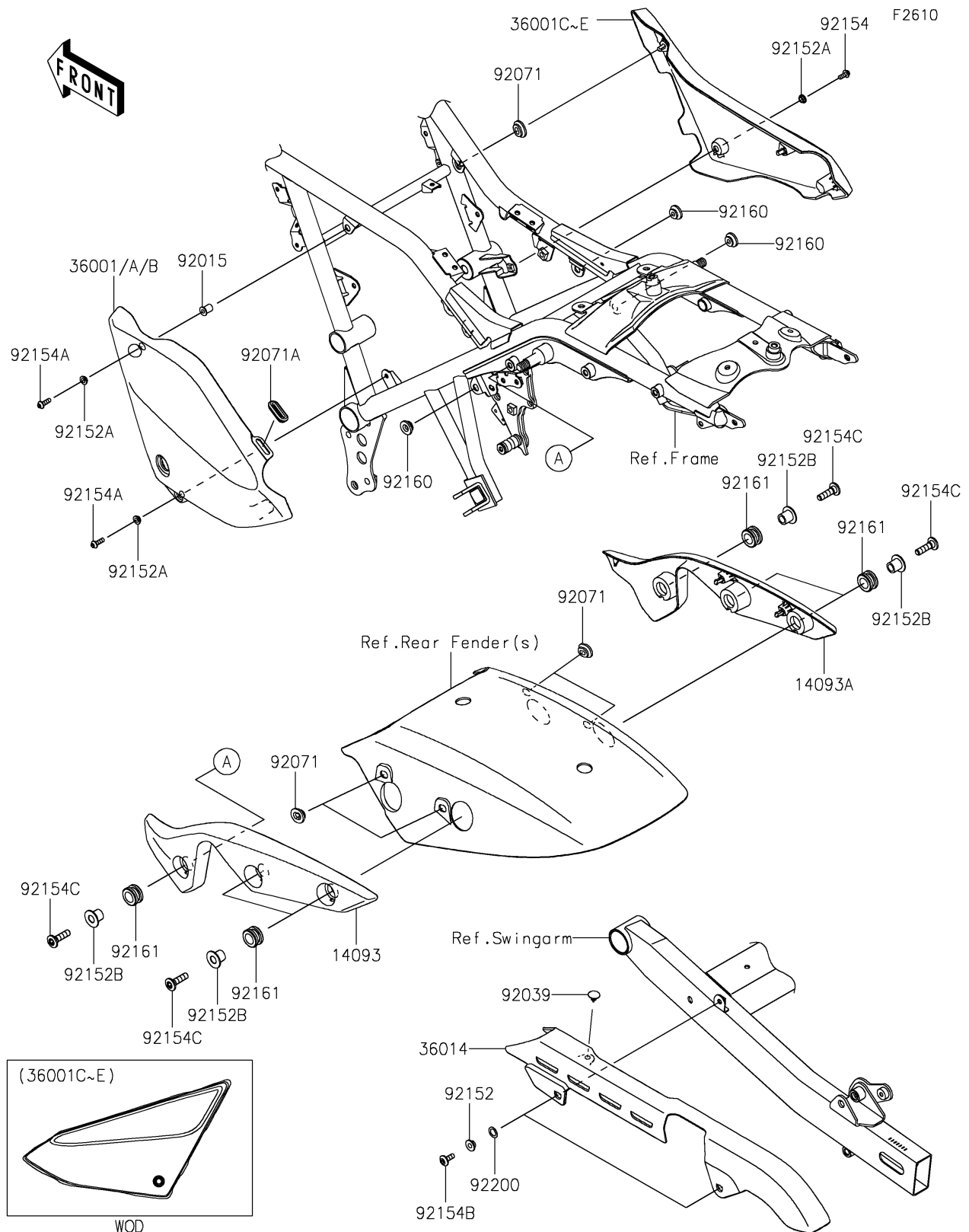


2026 ELIMINATOR® SE ABS

PARTS DIAGRAM

Side Covers/Chain Cover



2026 ELIMINATOR[®] SE ABS

PARTS LIST

Side Covers/Chain Cover

| ITEM NAME | PART NUMBER | QUANTITY |
|-----------|-------------|----------|
|-----------|-------------|----------|
