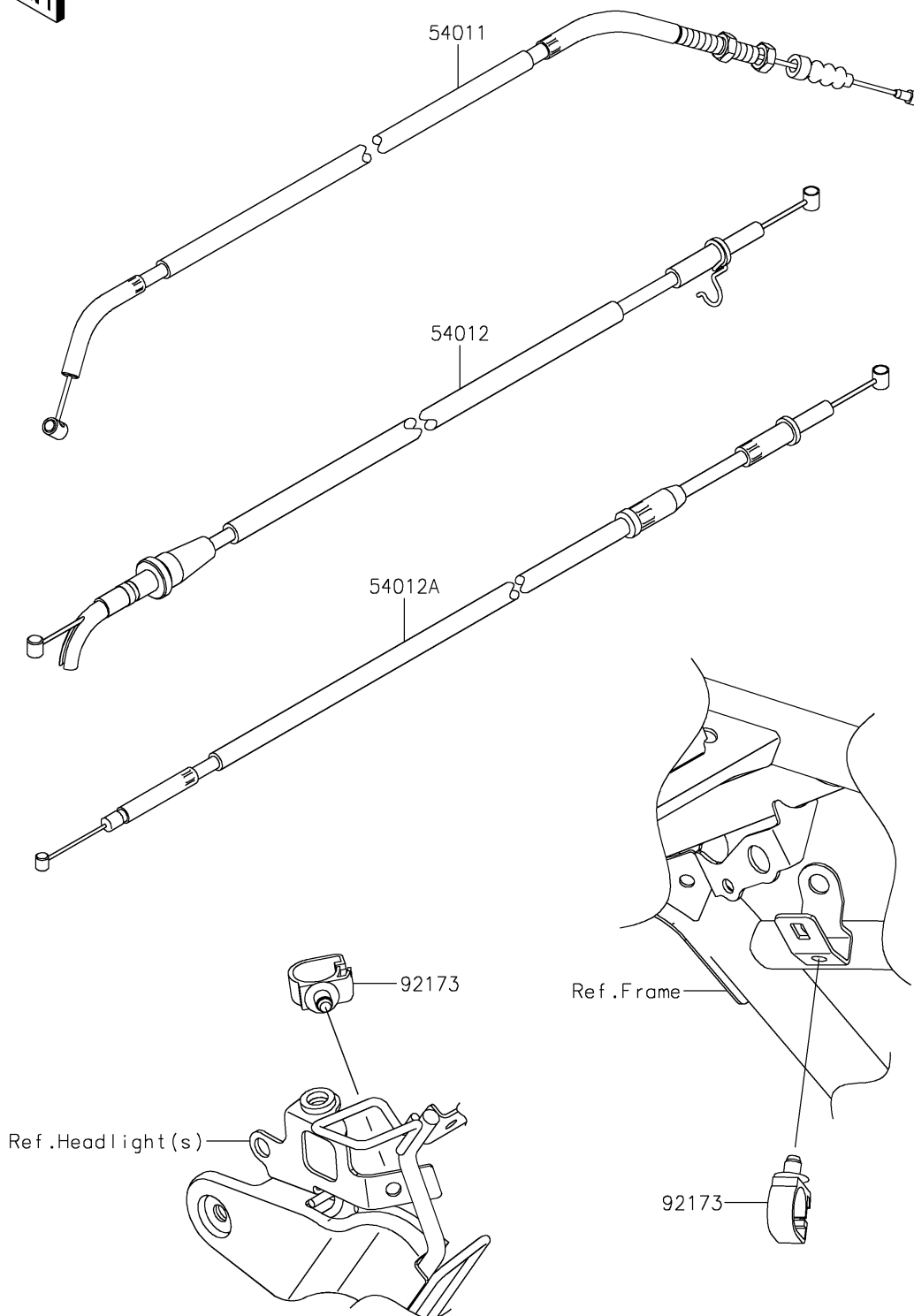


2026 ELIMINATOR[®] SE ABS

PARTS DIAGRAM

Cables

F2540



2026 ELIMINATOR[®] SE ABS

PARTS LIST

Cables

ITEM NAME

PART NUMBER

QUANTITY
