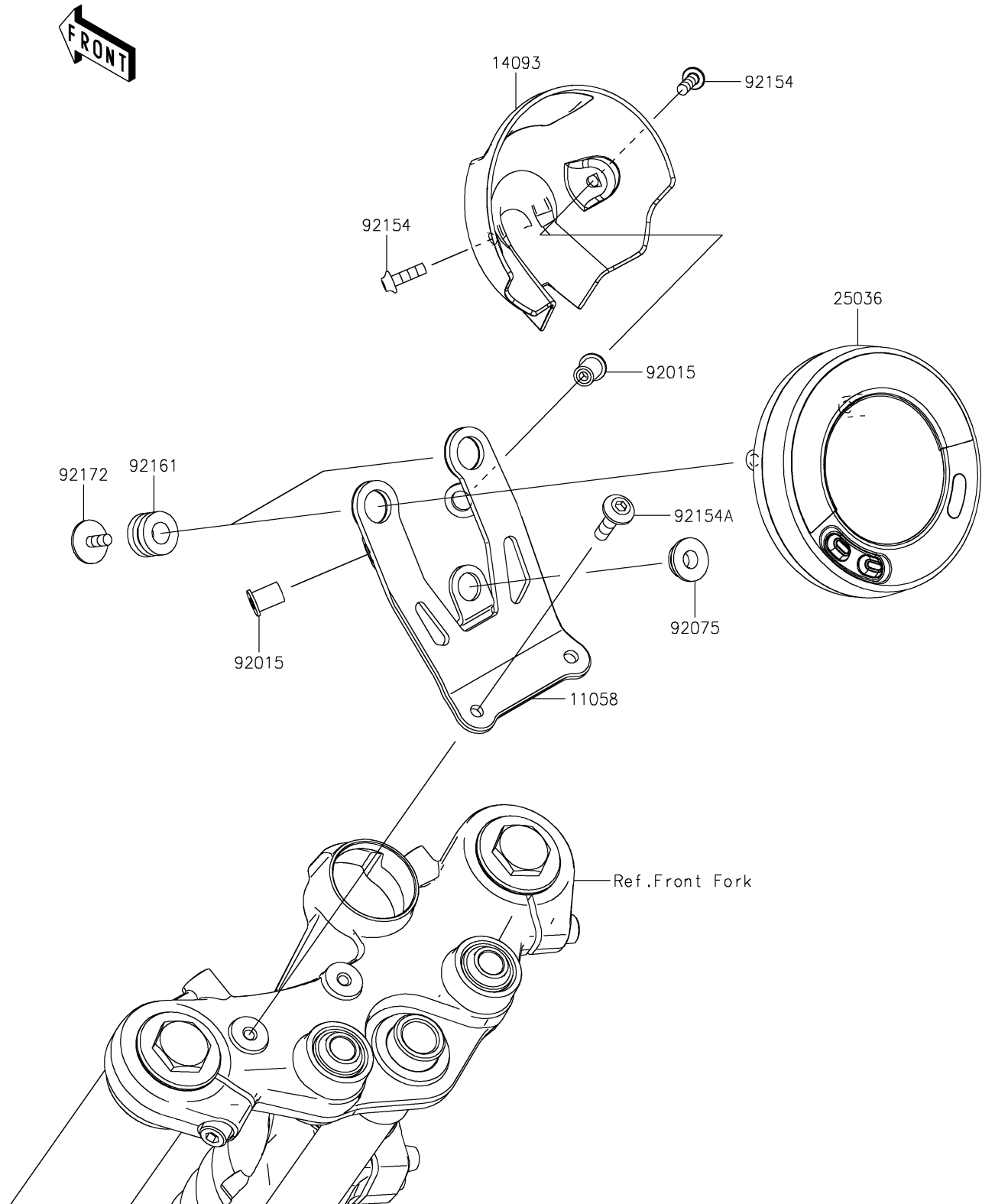


2026 ELIMINATOR® SE ABS

PARTS DIAGRAM

Meter(s)

F2530



2026 ELIMINATOR[®] SE ABS

PARTS LIST

Meter(s)

ITEM NAME

PART NUMBER

QUANTITY
