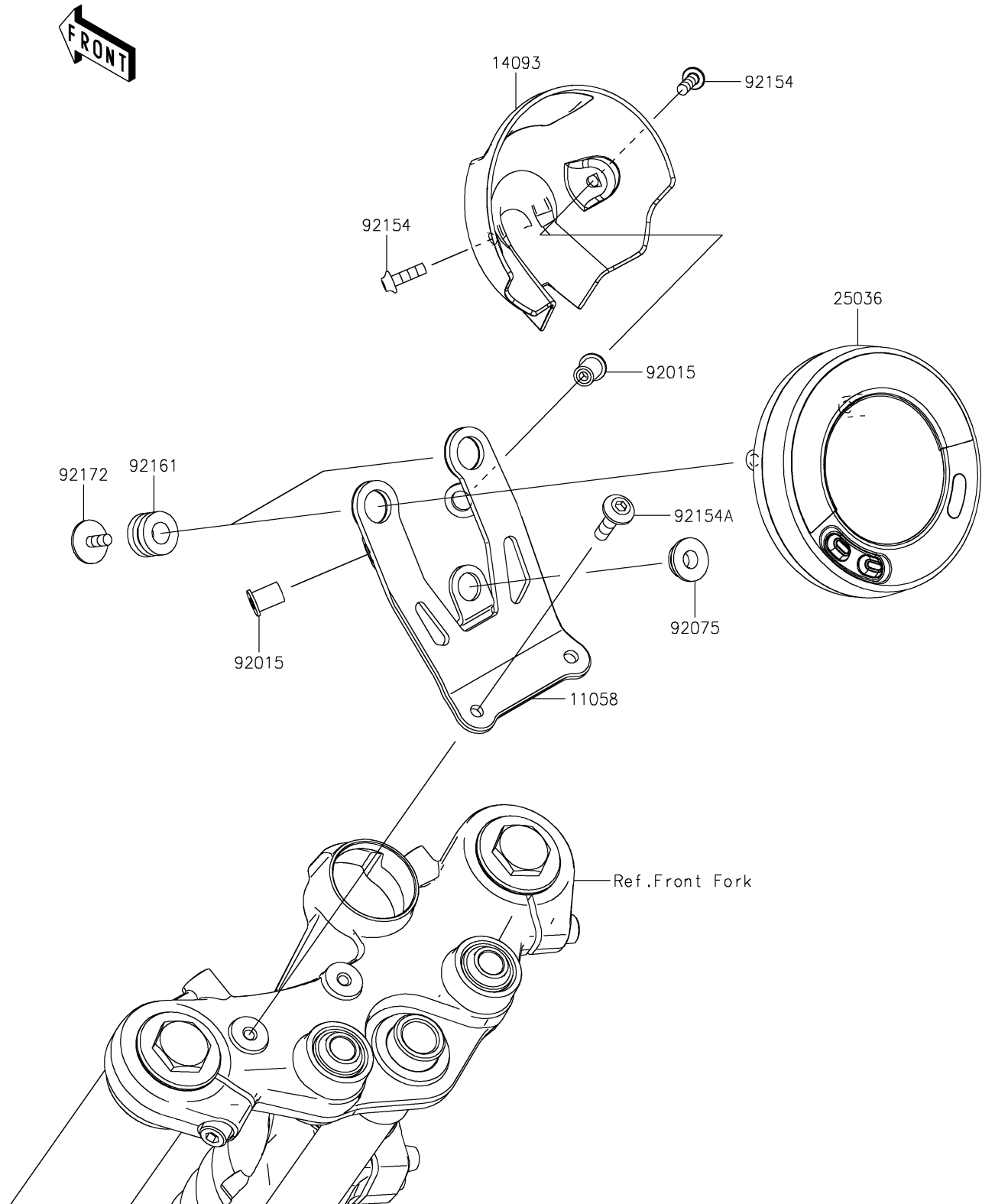


2024 Eliminator® SE

PARTS DIAGRAM

Meter(s)

F2530



2024 Eliminator[®] SE

PARTS LIST

Meter(s)

ITEM NAME

PART NUMBER

QUANTITY
