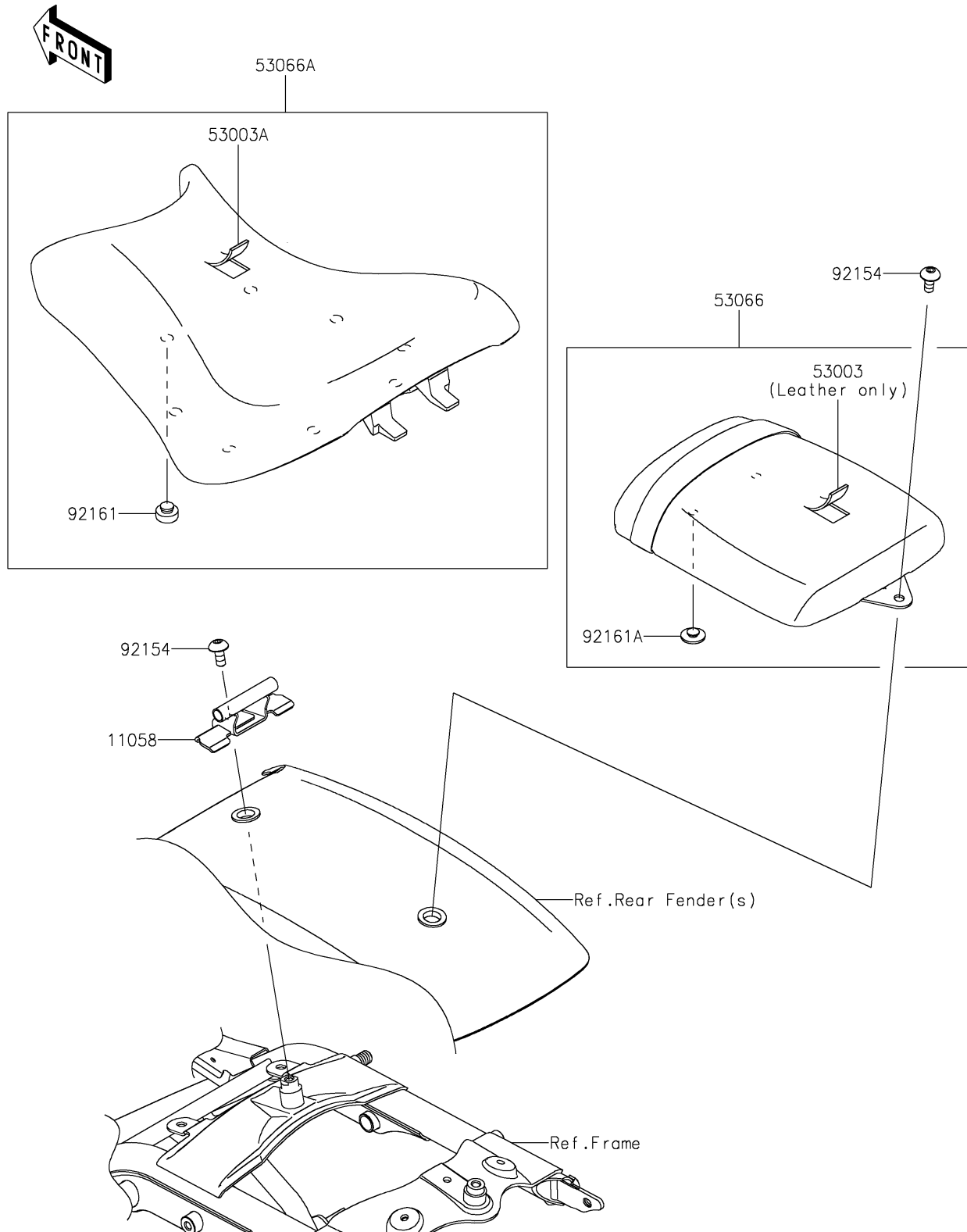


2026 ELIMINATOR® SE ABS

PARTS DIAGRAM

Seat

F2510



2026 ELIMINATOR[®] SE ABS

PARTS LIST

Seat

ITEM NAME

PART NUMBER

QUANTITY
