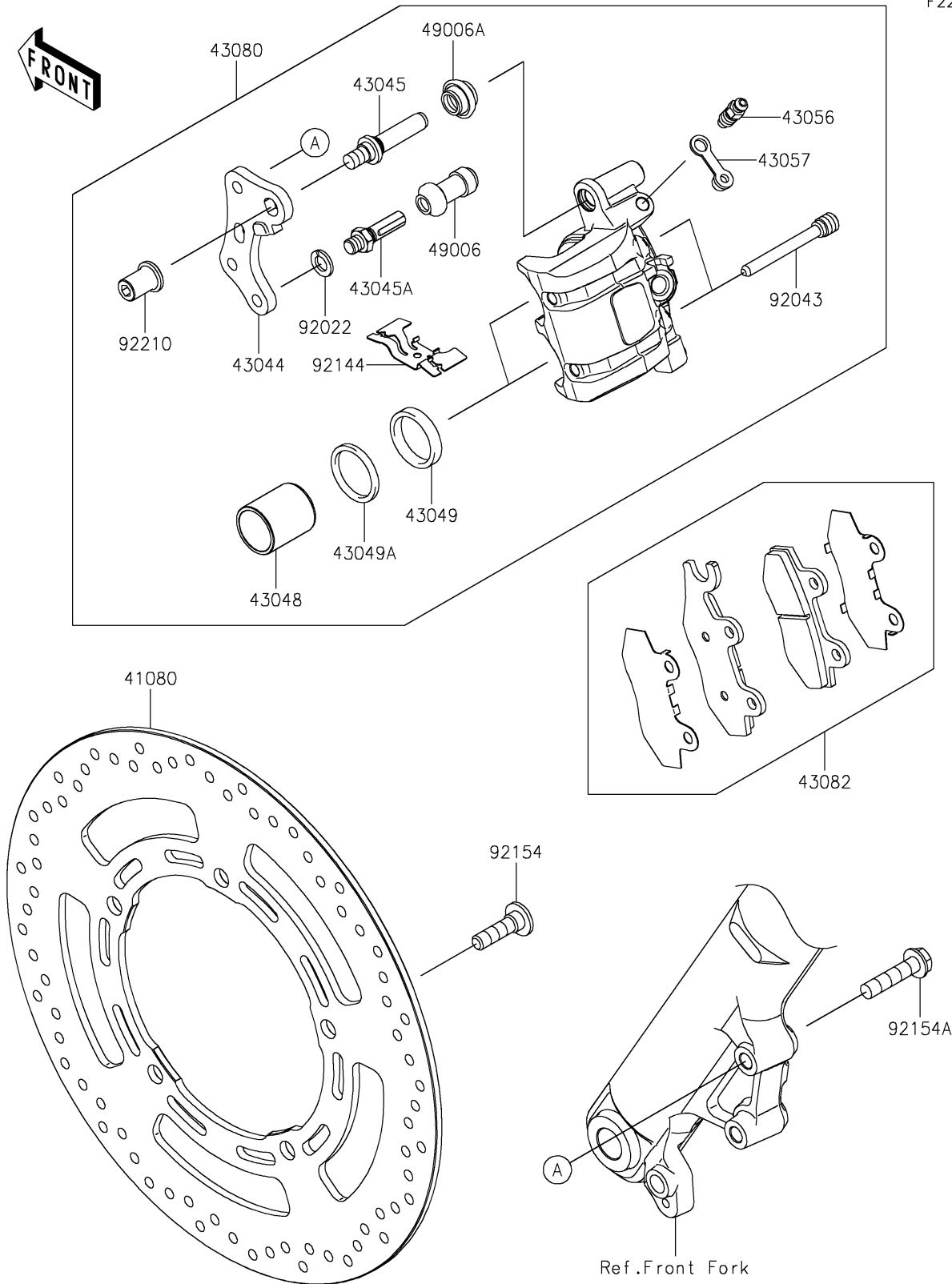


# 2024 Eliminator<sup>®</sup> SE

## PARTS DIAGRAM

### Front Brake

F2292



# 2024 Eliminator<sup>®</sup> SE

## PARTS LIST

### Front Brake

**ITEM NAME**

**PART NUMBER**

**QUANTITY**

---