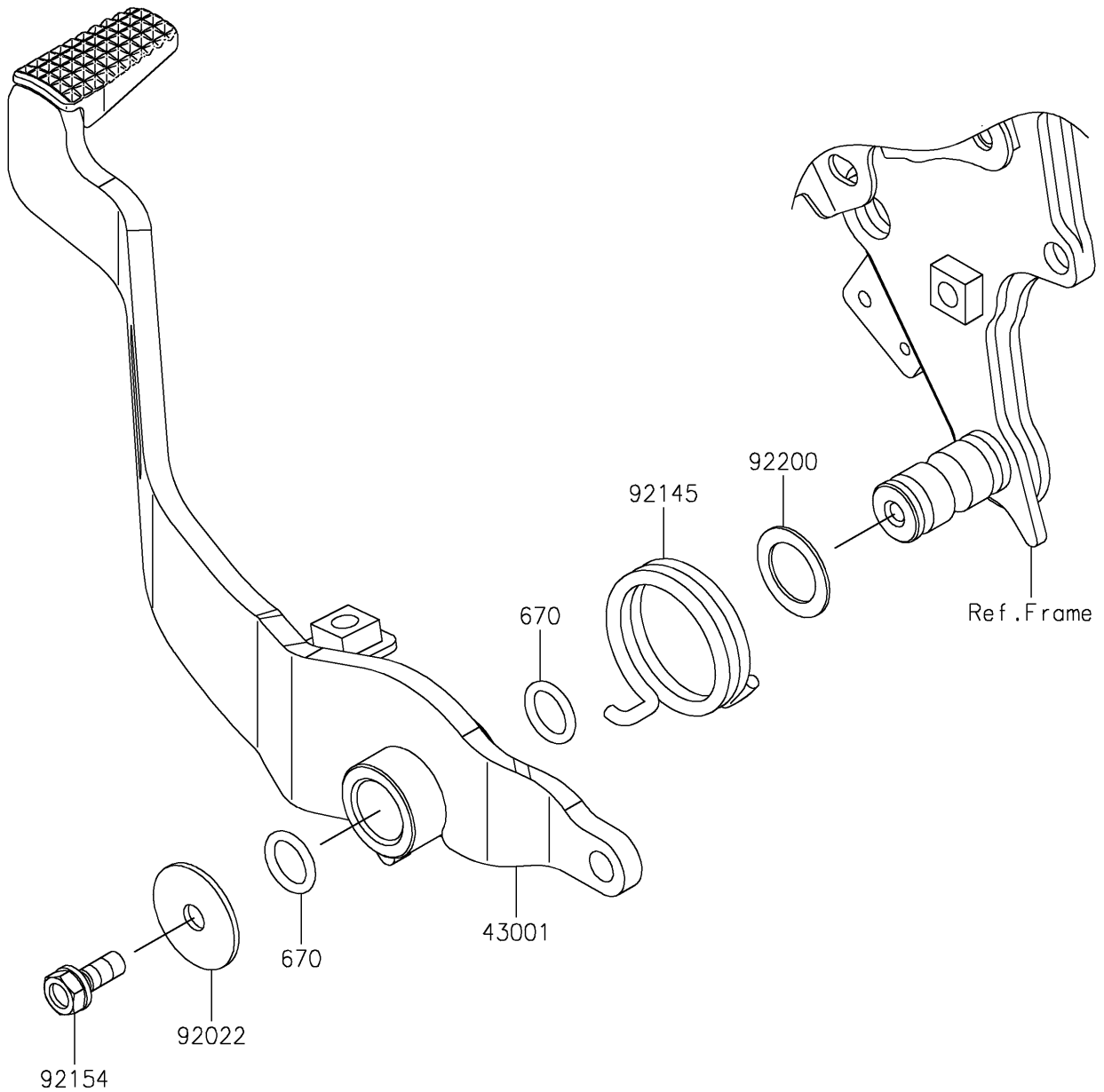


2026 ELIMINATOR[®] SE ABS

PARTS DIAGRAM

Brake Pedal/Torque Link

F2260



2026 ELIMINATOR® SE ABS

PARTS LIST

Brake Pedal/Torque Link

ITEM NAME	PART NUMBER	QUANTITY
LEVER-BRAKE,PEDAL (Ref # 43001)	43001-0789	1
WASHER,7X28X1.6 (Ref # 92022)	92022-1282	1
SPRING,BRAKE PEDAL (Ref # 92145)	92145-2287	1
BOLT,UPSET-WS,6X16 (Ref # 92154)	92154-0935	1
WASHER,16.2X24X1 (Ref # 92200)	92200-2619	1
O RING,12MM (Ref # 670)	670B2012	2