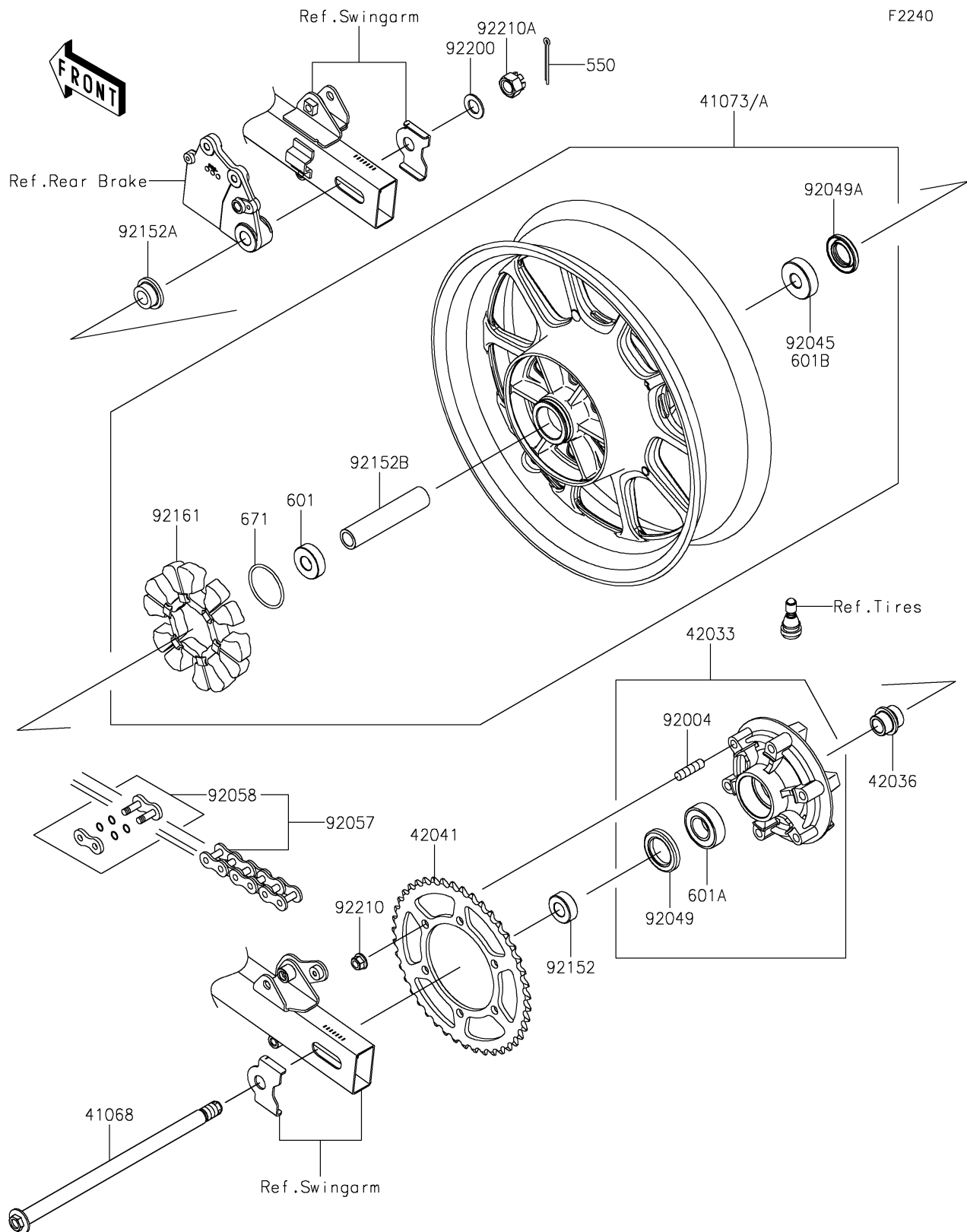


2026 ELIMINATOR® SE ABS

PARTS DIAGRAM

Rear Wheel/Chain



2026 ELIMINATOR[®] SE ABS

PARTS LIST

Rear Wheel/Chain

ITEM NAME	PART NUMBER	QUANTITY
-----------	-------------	----------
