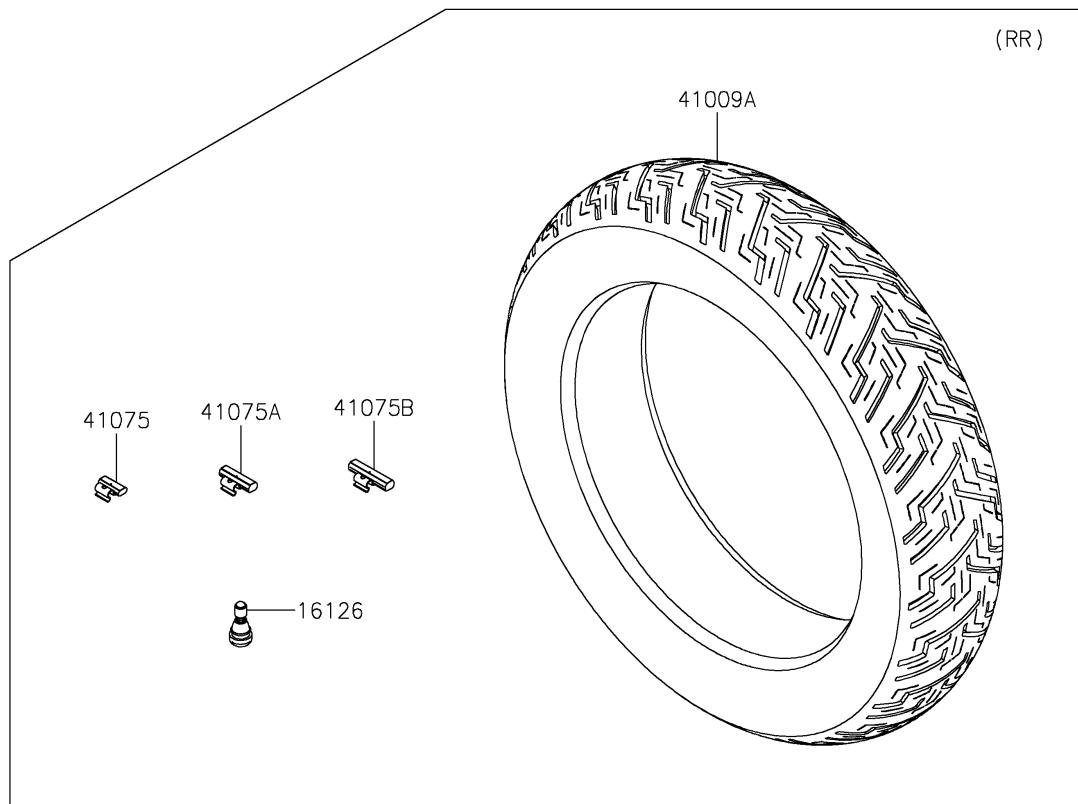
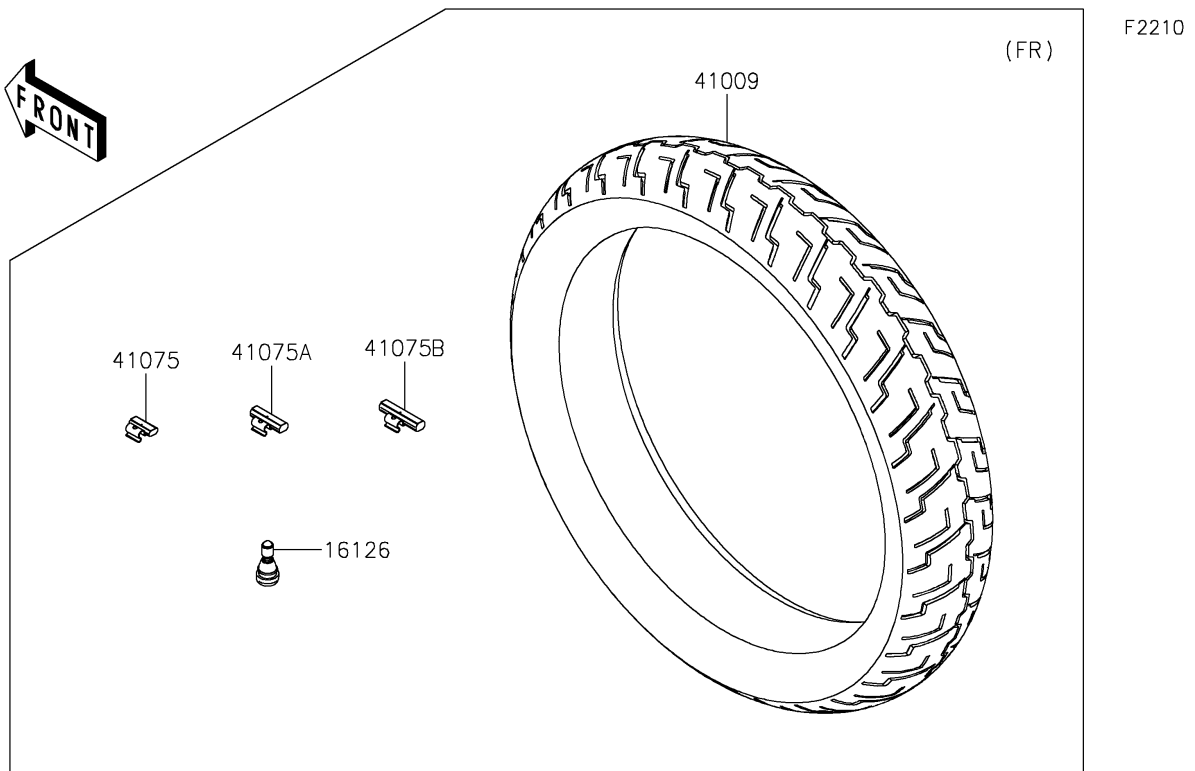


2026 ELIMINATOR® SE ABS

PARTS DIAGRAM

Tires



2026 ELIMINATOR[®] SE ABS

PARTS LIST

Tires

ITEM NAME

PART NUMBER

QUANTITY
