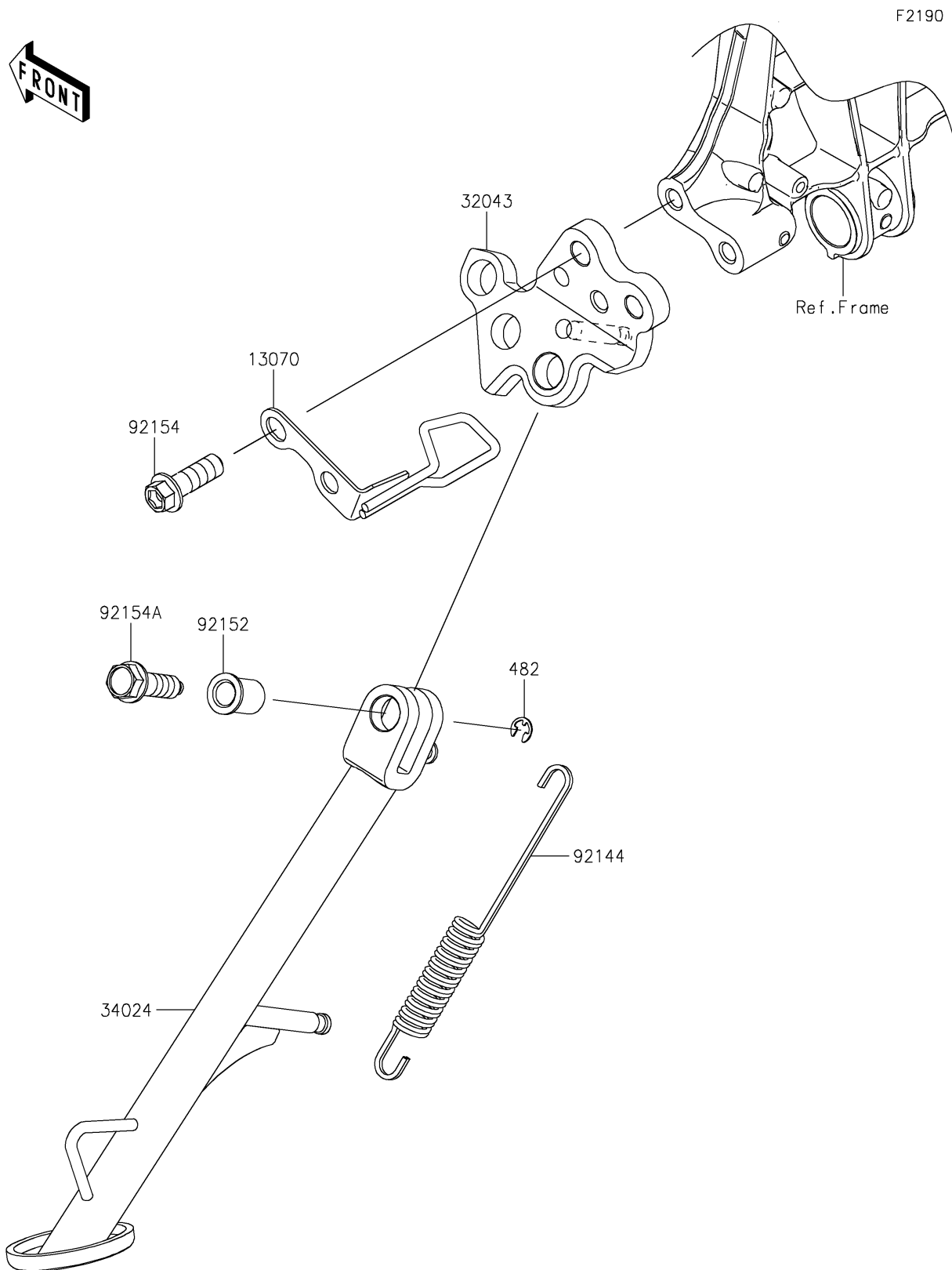


2026 ELIMINATOR® SE ABS

PARTS DIAGRAM

Stand(s)



2026 ELIMINATOR[®] SE ABS

PARTS LIST

Stand(s)

ITEM NAME

PART NUMBER

QUANTITY
