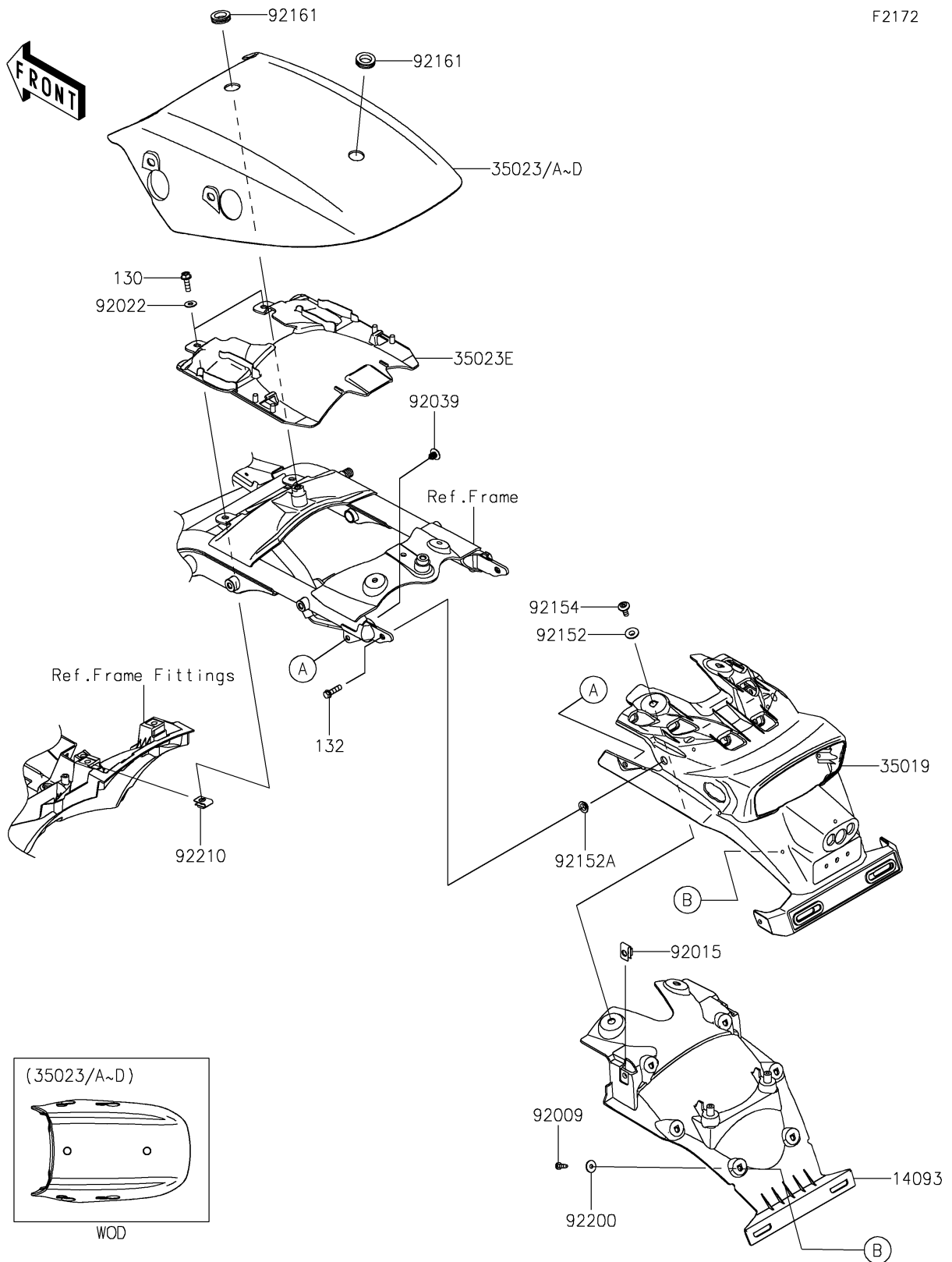


# 2024 Eliminator® SE

## PARTS DIAGRAM

### Rear Fender(s)

F2172



# 2024 Eliminator<sup>®</sup> SE

## PARTS LIST

Rear Fender(s)

**ITEM NAME**

**PART NUMBER**

**QUANTITY**

---