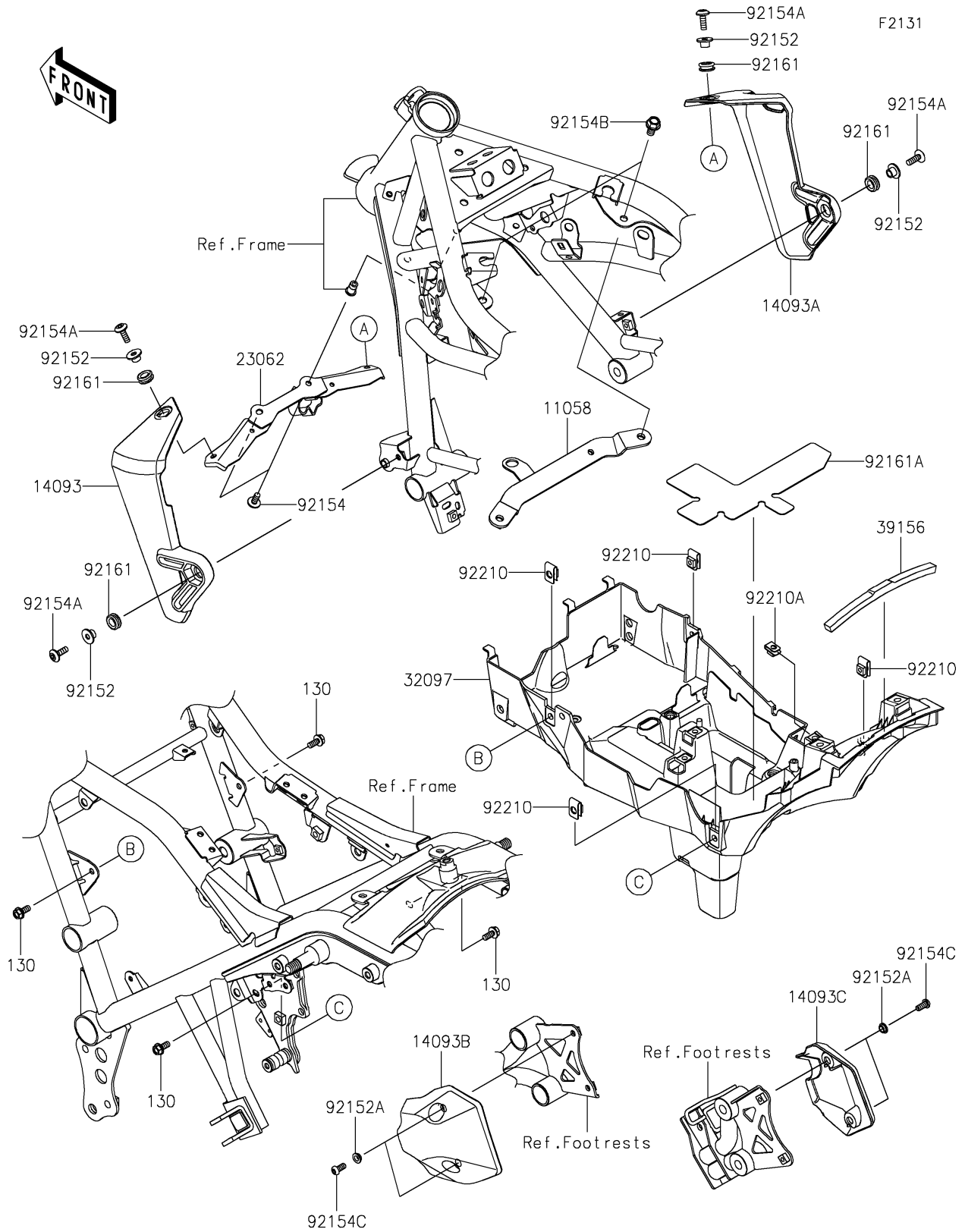


# 2026 ELIMINATOR® SE ABS

## PARTS DIAGRAM

### Frame Fittings



# 2026 ELIMINATOR<sup>®</sup> SE ABS

## PARTS LIST

### Frame Fittings

ITEM NAME	PART NUMBER	QUANTITY
-----------	-------------	----------

---