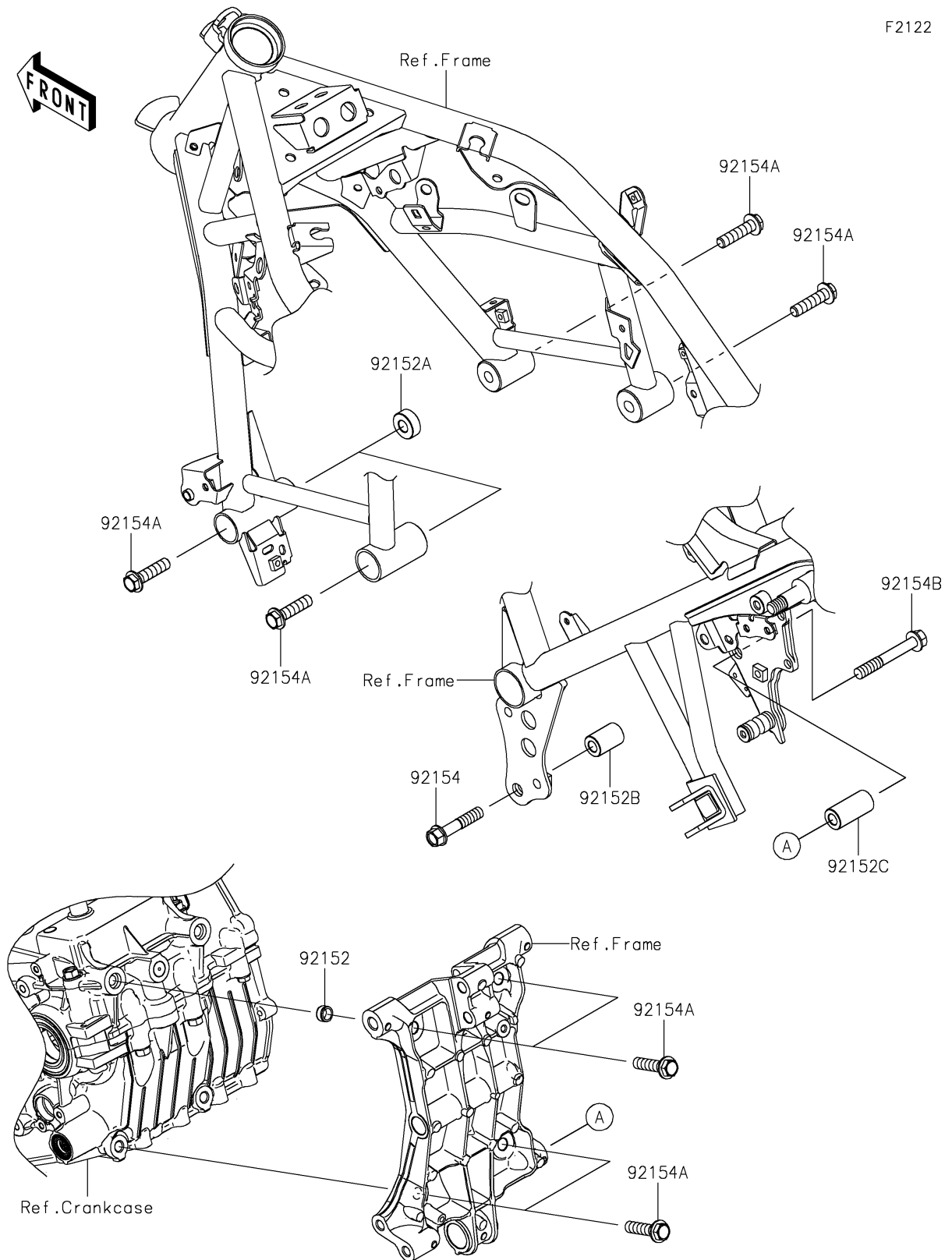


2026 ELIMINATOR® SE ABS

PARTS DIAGRAM

Engine Mount



2026 ELIMINATOR[®] SE ABS

PARTS LIST

Engine Mount

ITEM NAME	PART NUMBER	QUANTITY
-----------	-------------	----------
