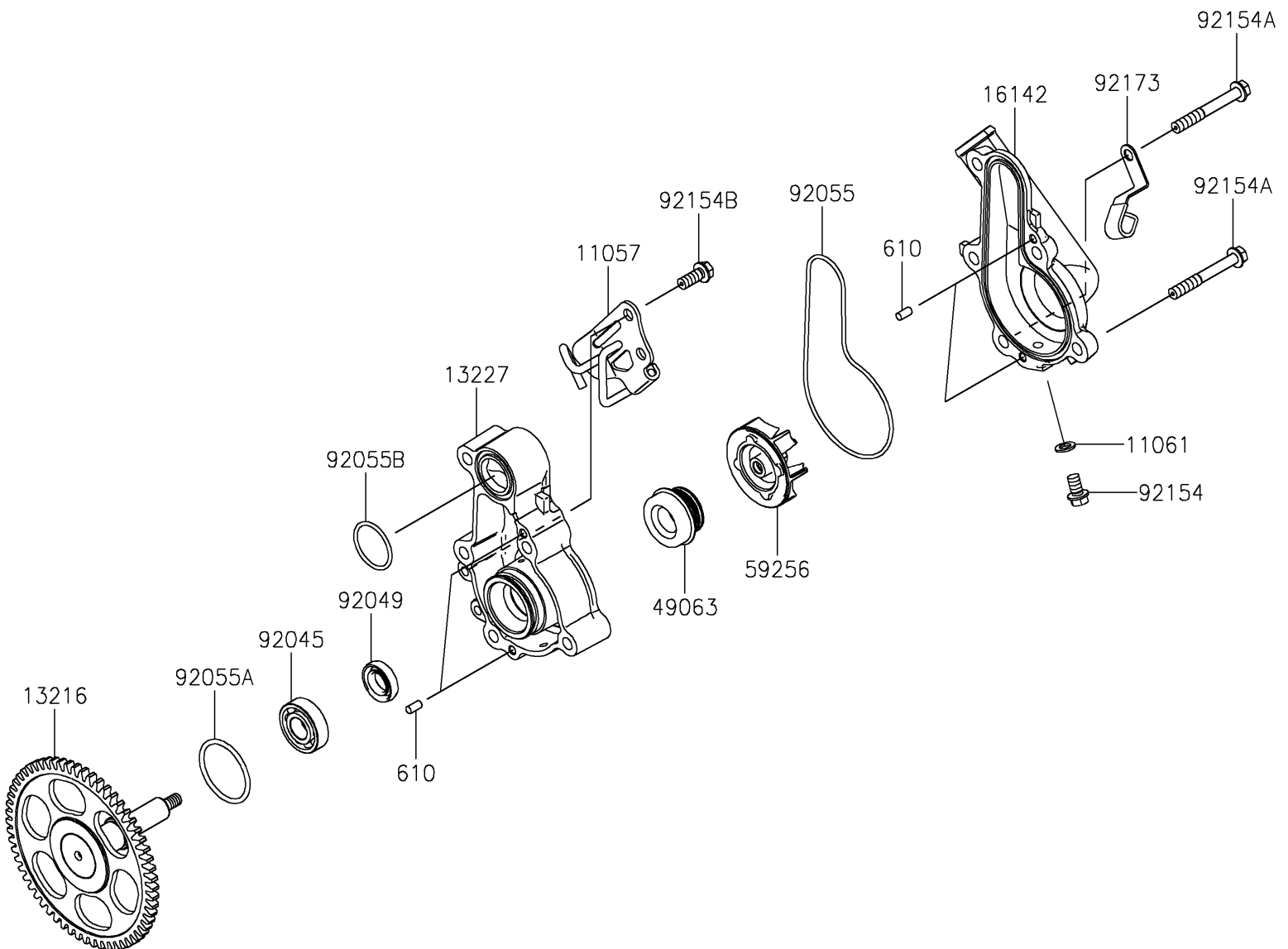


2025 Eliminator SE ABS

PARTS DIAGRAM

Water Pump

E3031



2025 Eliminator SE ABS

PARTS LIST

Water Pump

ITEM NAME

PART NUMBER

QUANTITY
