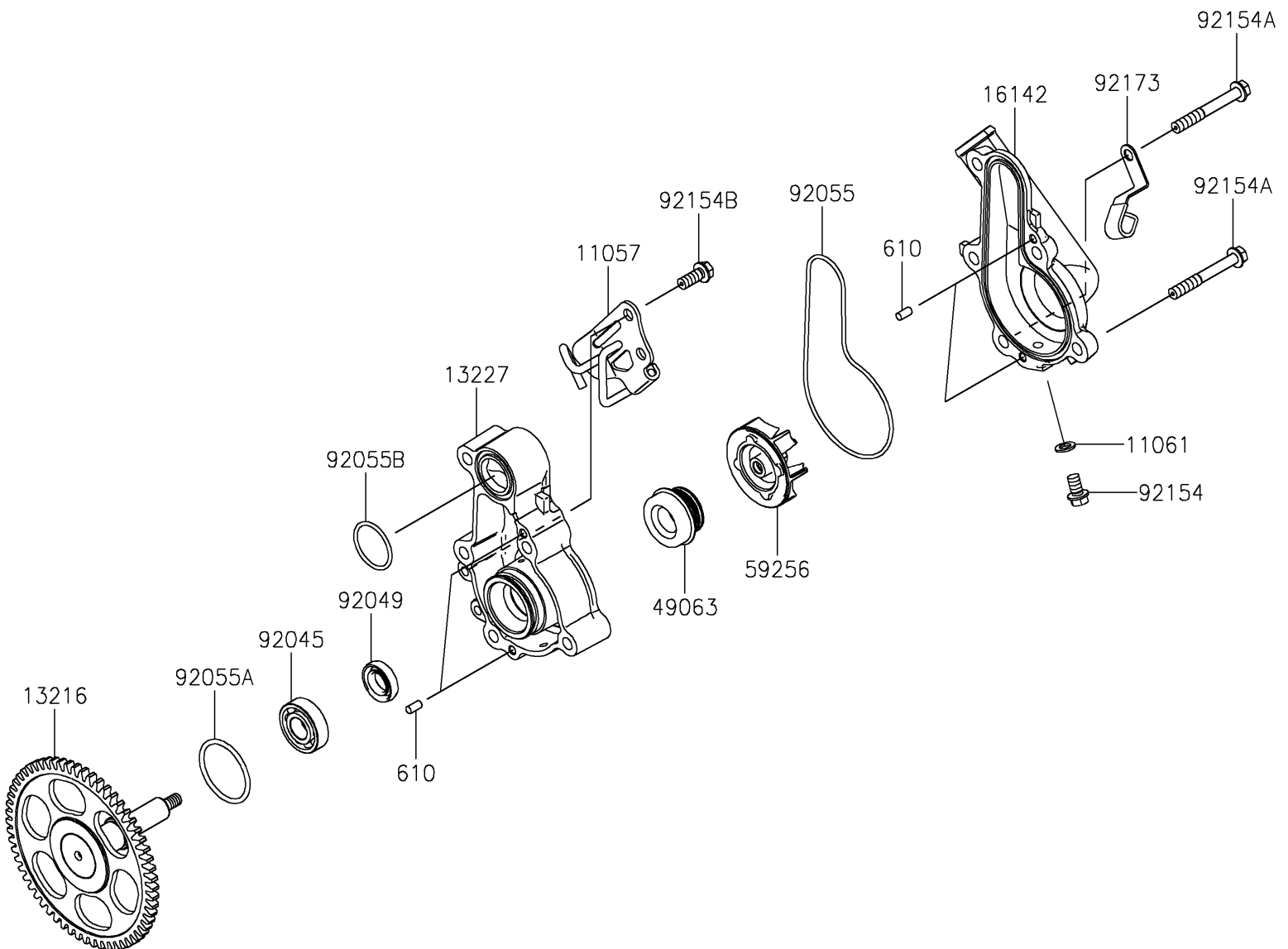


2024 Eliminator[®] SE

PARTS DIAGRAM

Water Pump

E3031



2024 Eliminator[®] SE

PARTS LIST

Water Pump

ITEM NAME

PART NUMBER

QUANTITY
