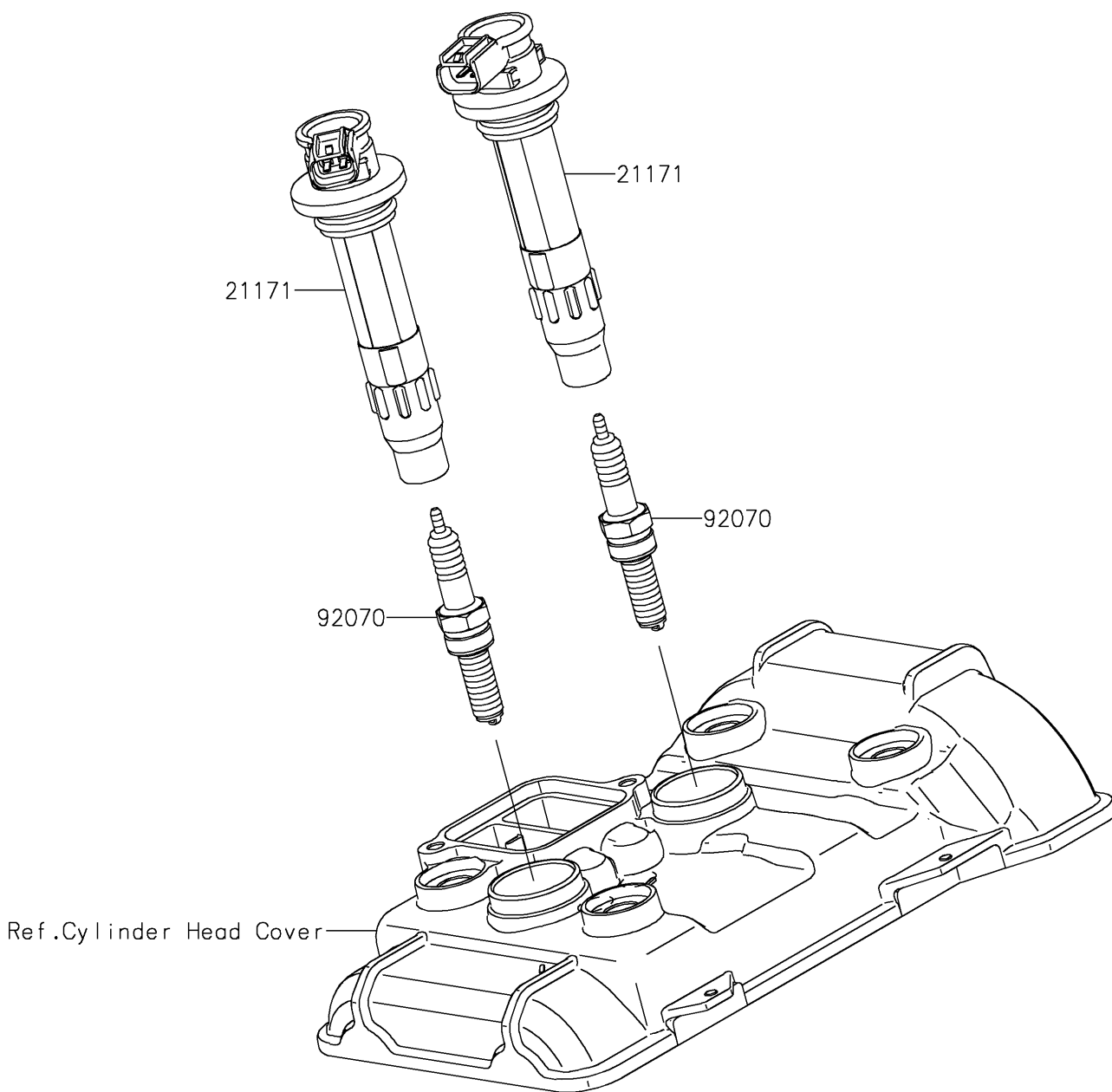


2026 ELIMINATOR[®] SE ABS

PARTS DIAGRAM

Ignition System

E1830



2026 ELIMINATOR[®] SE ABS

PARTS LIST

Ignition System

ITEM NAME

PART NUMBER

QUANTITY
