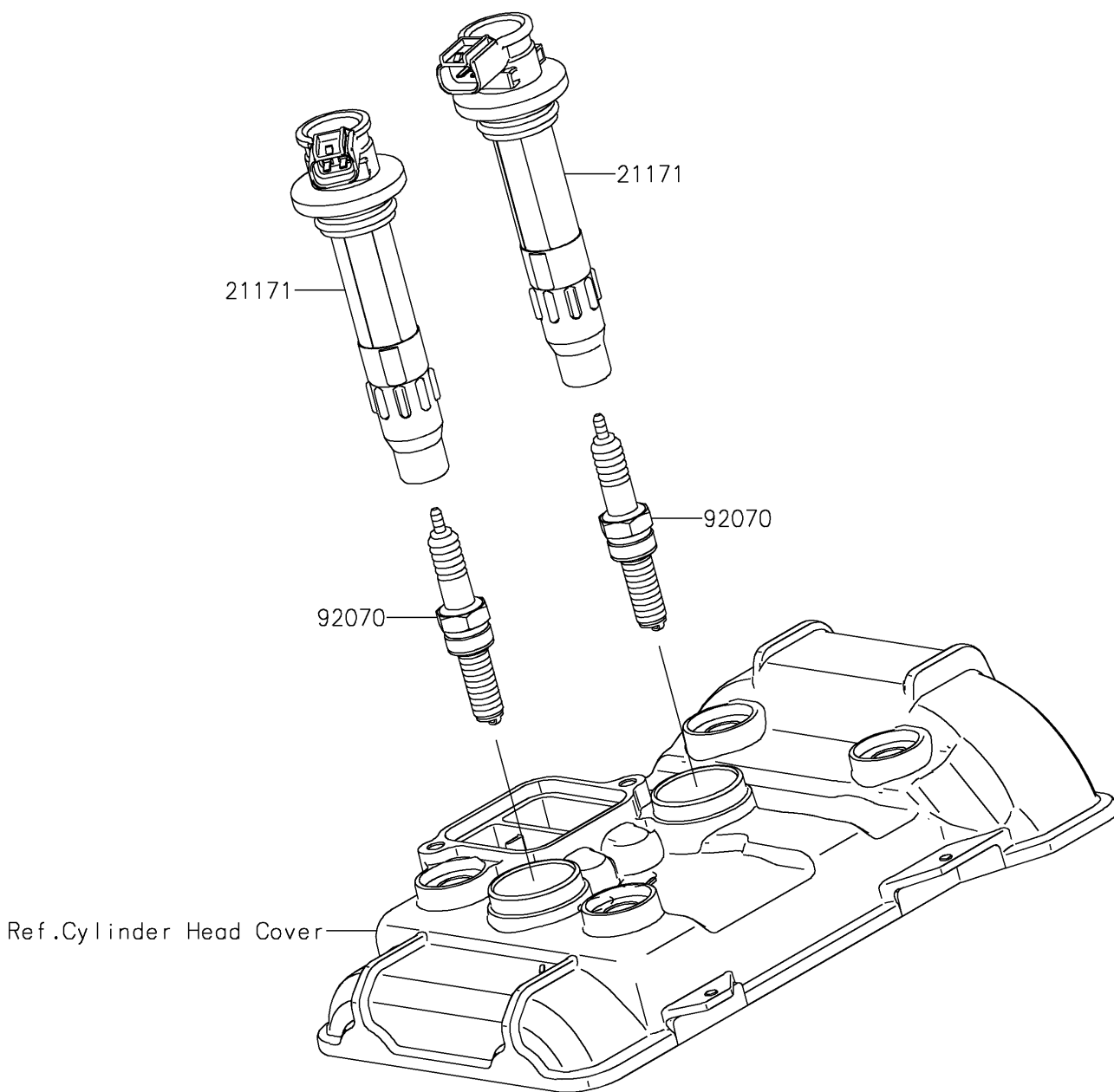


2024 Eliminator[®] SE

PARTS DIAGRAM

Ignition System

E1830



2024 Eliminator[®] SE

PARTS LIST Ignition System

ITEM NAME	PART NUMBER	QUANTITY
-----------	-------------	----------
