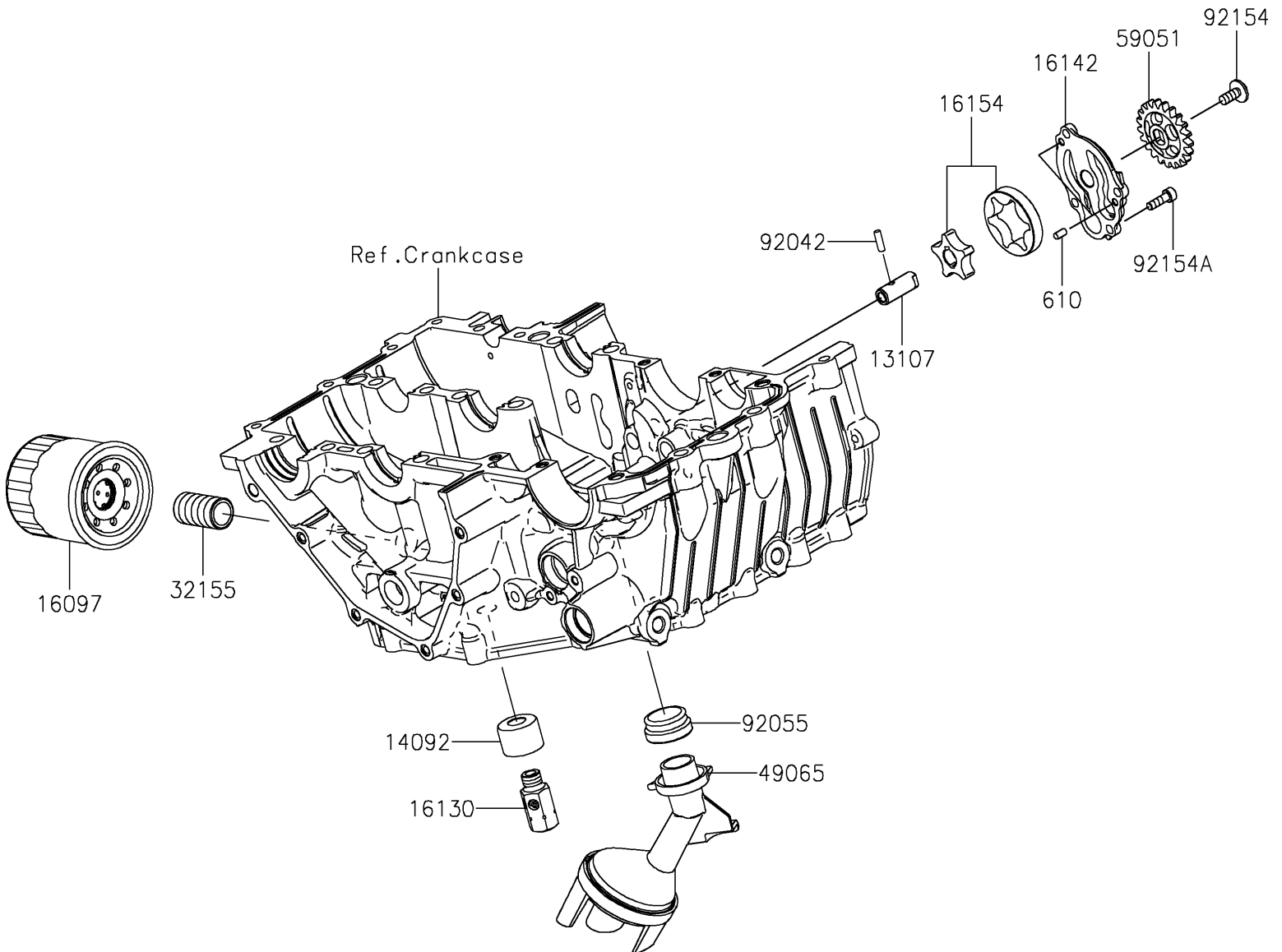


# 2026 ELIMINATOR® SE ABS

## PARTS DIAGRAM

### Oil Pump/Oil Filter

E1710



# 2026 ELIMINATOR<sup>®</sup> SE ABS

## PARTS LIST

### Oil Pump/Oil Filter

ITEM NAME	PART NUMBER	QUANTITY
-----------	-------------	----------

---