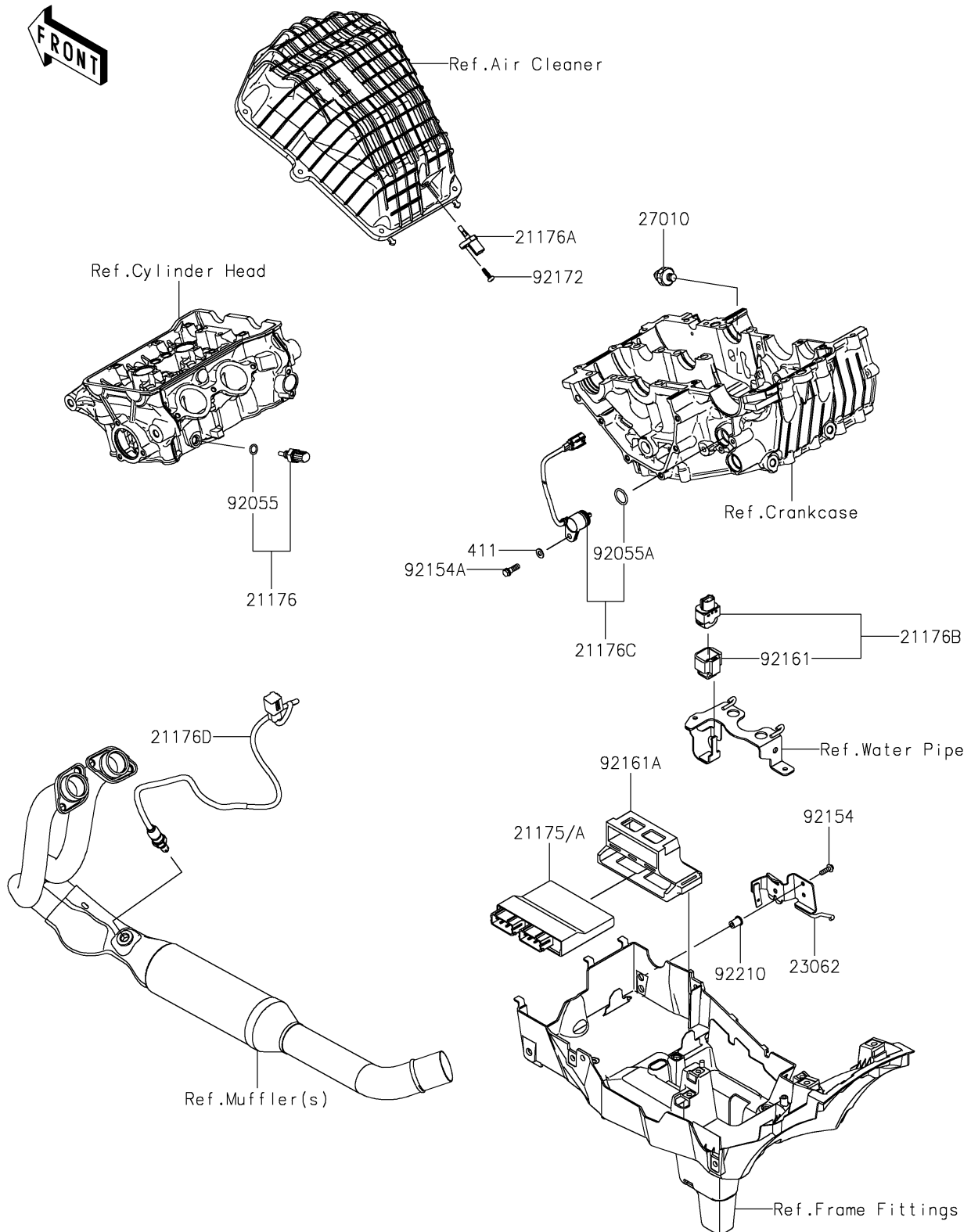


2026 ELIMINATOR® SE ABS

PARTS DIAGRAM

Fuel Injection

E1530



2026 ELIMINATOR[®] SE ABS

PARTS LIST

Fuel Injection



ITEM NAME

PART NUMBER

QUANTITY
