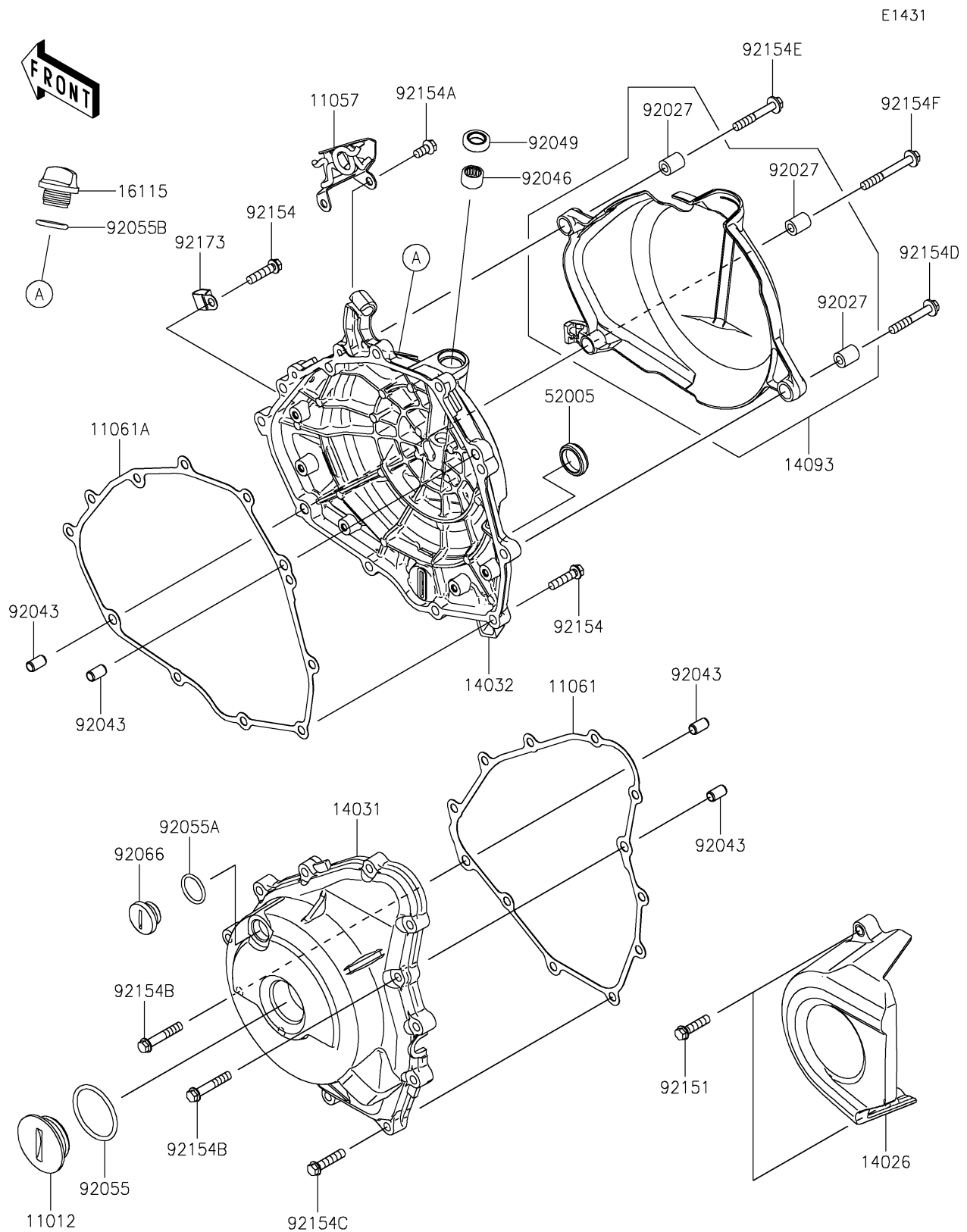


# 2026 Eliminator SE ABS

## PARTS DIAGRAM

### Engine Cover(s)



# 2026 Eliminator SE ABS

## PARTS LIST

Engine Cover(s)

ITEM NAME	PART NUMBER	QUANTITY
-----------	-------------	----------

---