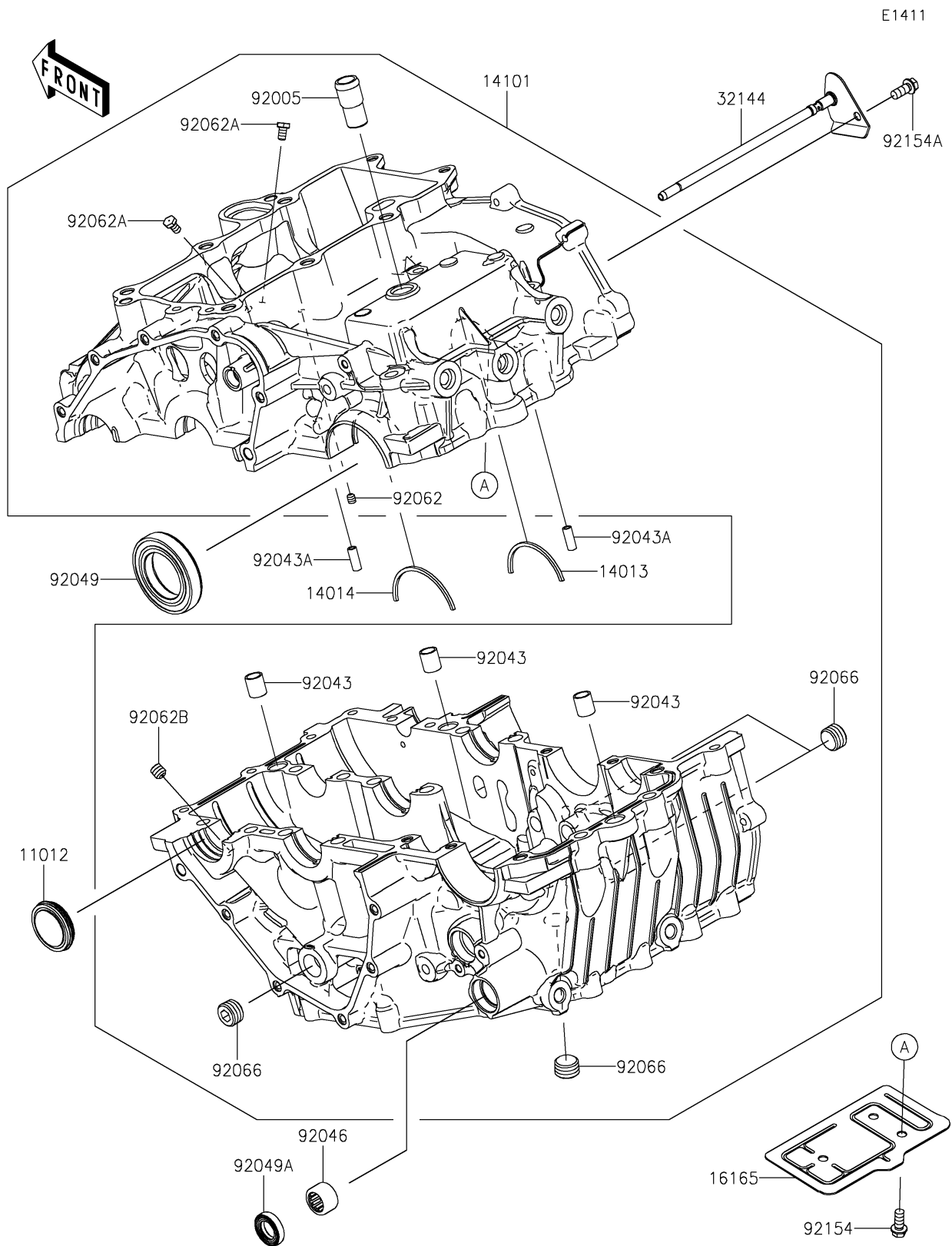


2026 ELIMINATOR® SE ABS

PARTS DIAGRAM

Crankcase



2026 ELIMINATOR[®] SE ABS

PARTS LIST

Crankcase

ITEM NAME

PART NUMBER

QUANTITY
