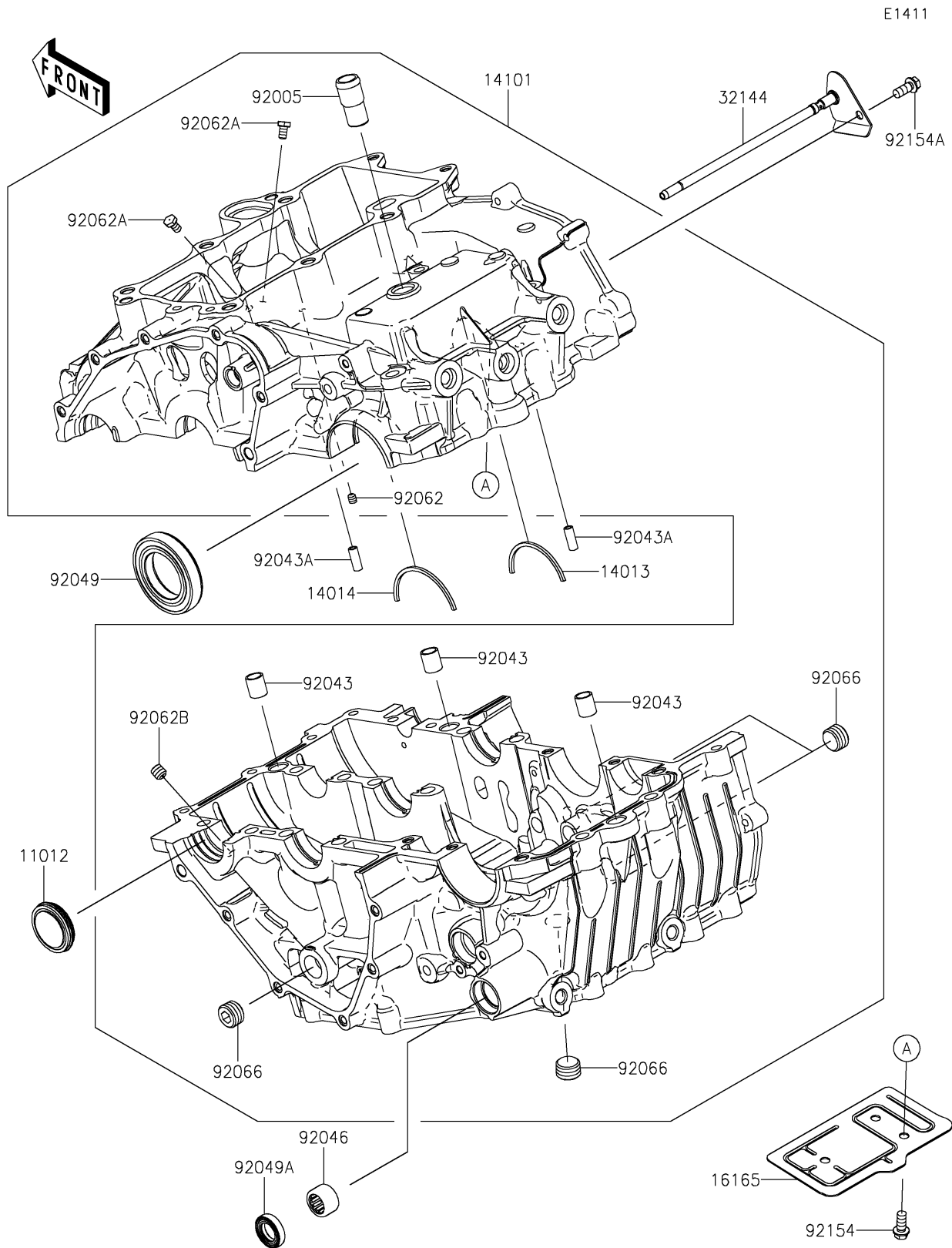


2025 Eliminator SE ABS

PARTS DIAGRAM

Crankcase



2025 Eliminator SE ABS

PARTS LIST

Crankcase

ITEM NAME

PART NUMBER

QUANTITY
