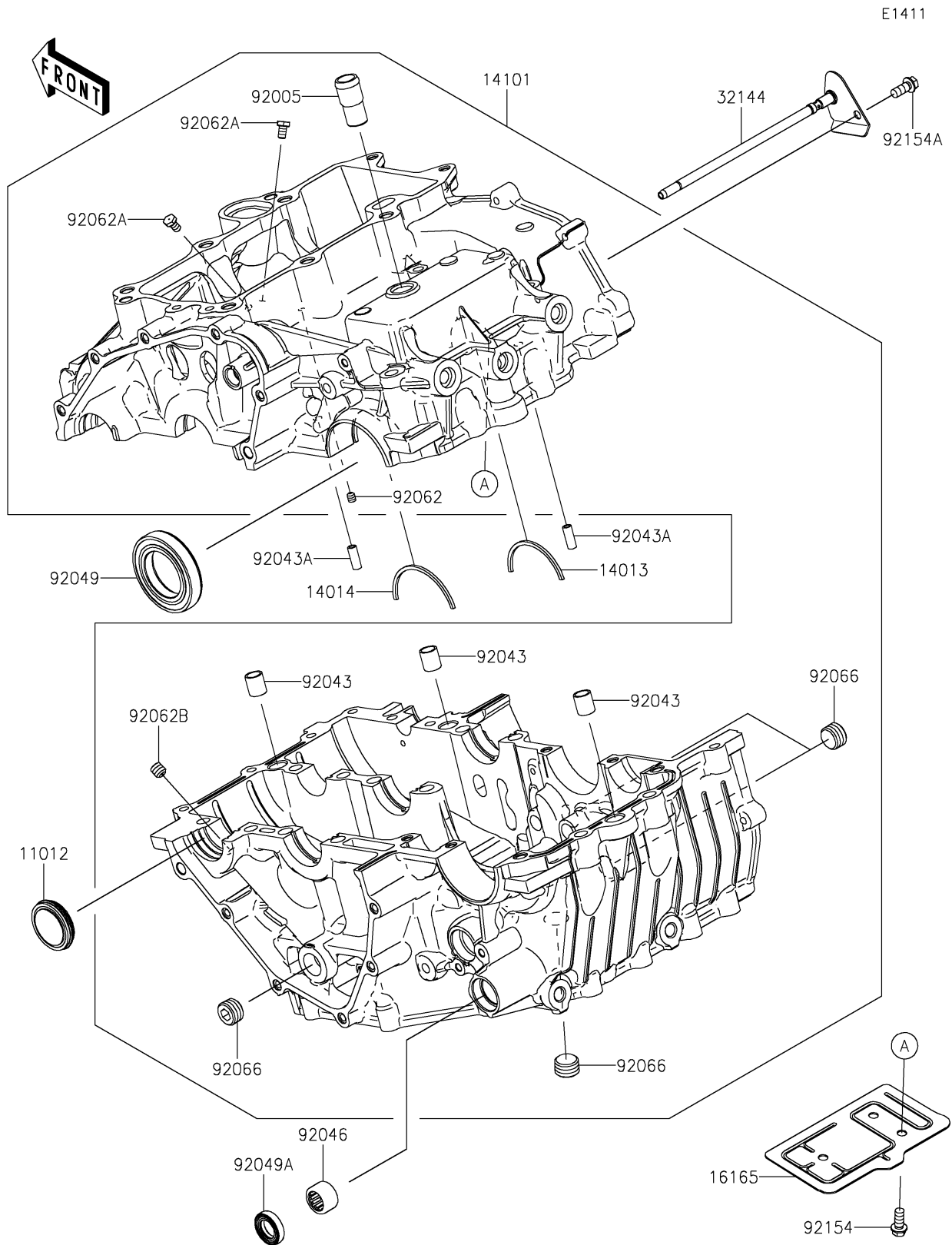


2024 Eliminator[®] SE

PARTS DIAGRAM

Crankcase



2024 Eliminator[®] SE

PARTS LIST

Crankcase

ITEM NAME

PART NUMBER

QUANTITY
