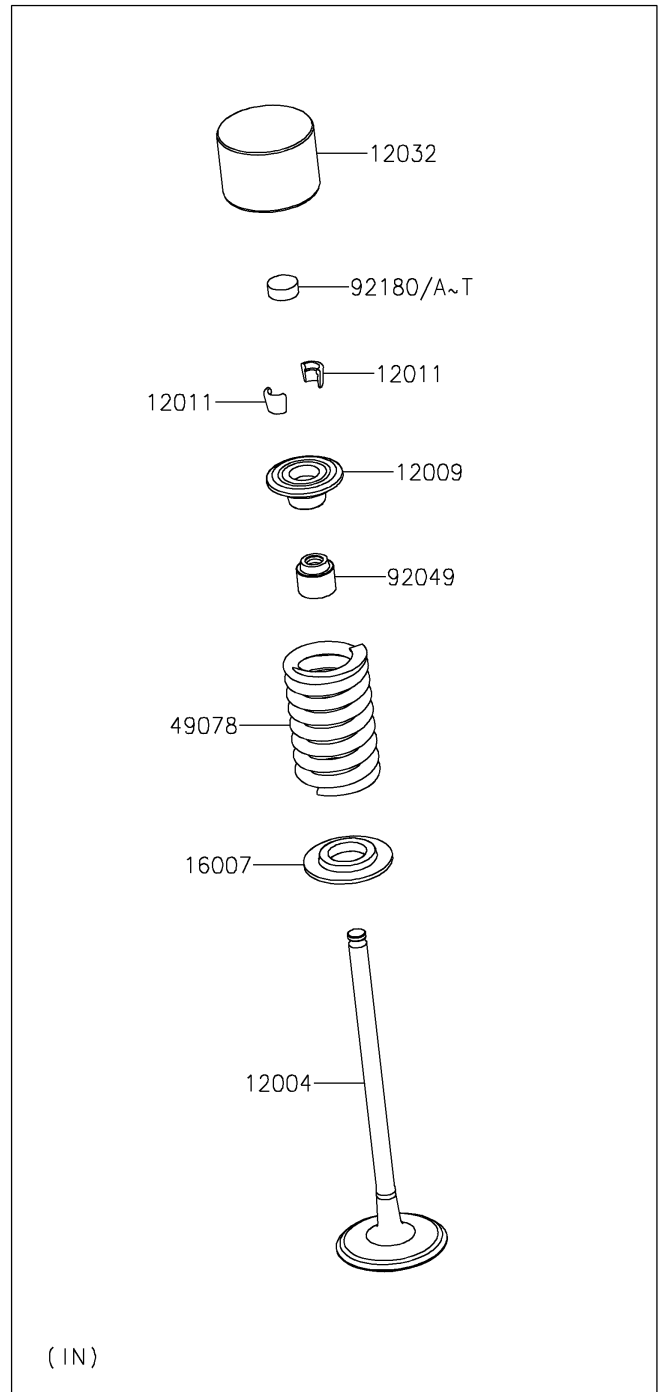


2026 ELIMINATOR[®] SE ABS

PARTS DIAGRAM

Valve(s)

E1210



2026 ELIMINATOR[®] SE ABS

PARTS LIST

Valve(s)

ITEM NAME

PART NUMBER

QUANTITY
