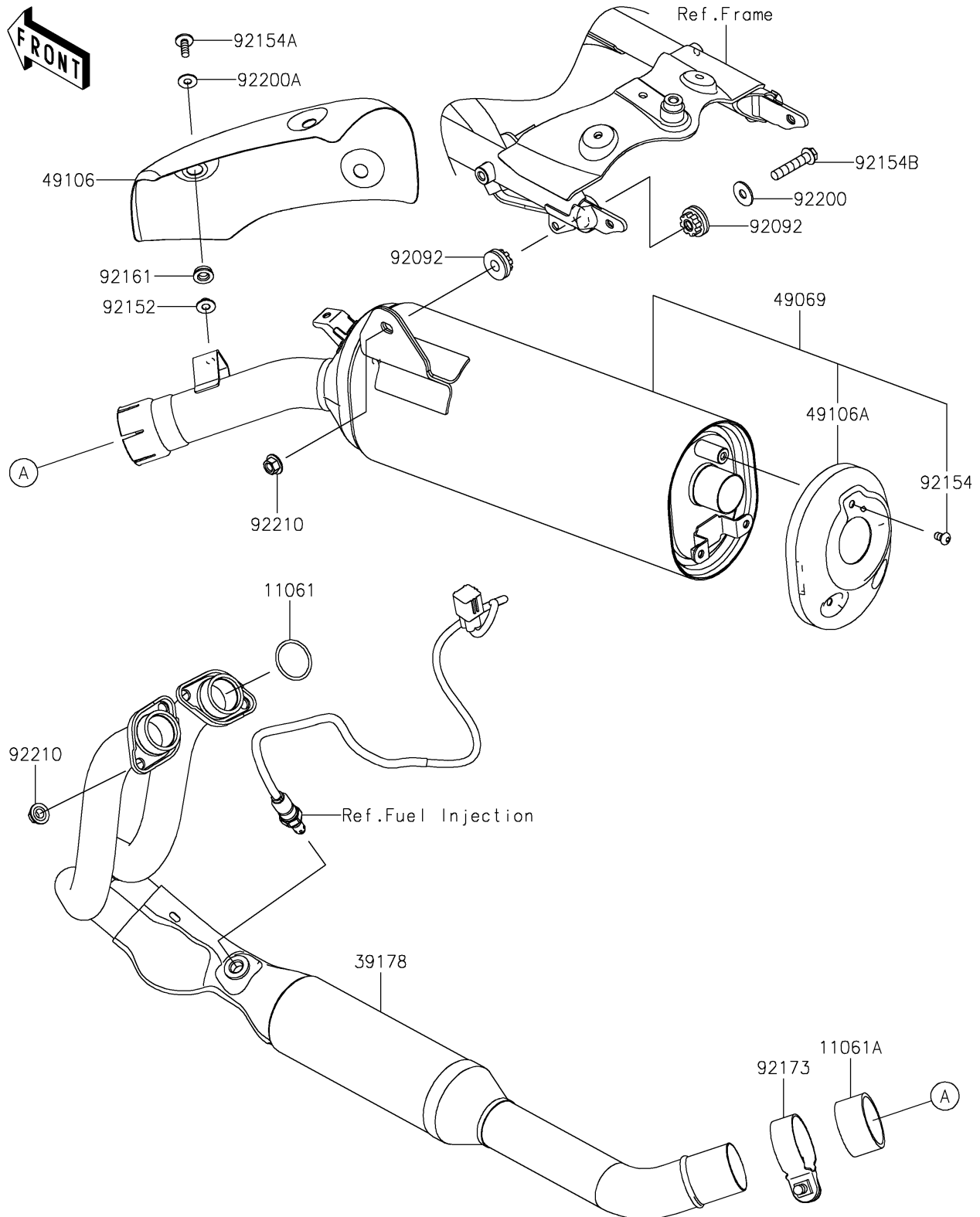


# 2025 Eliminator SE ABS

## PARTS DIAGRAM

### Muffler(s)

E1140



# 2025 Eliminator SE ABS

## PARTS LIST

Muffler(s)

| ITEM NAME | PART NUMBER | QUANTITY |
|-----------|-------------|----------|
|-----------|-------------|----------|

---