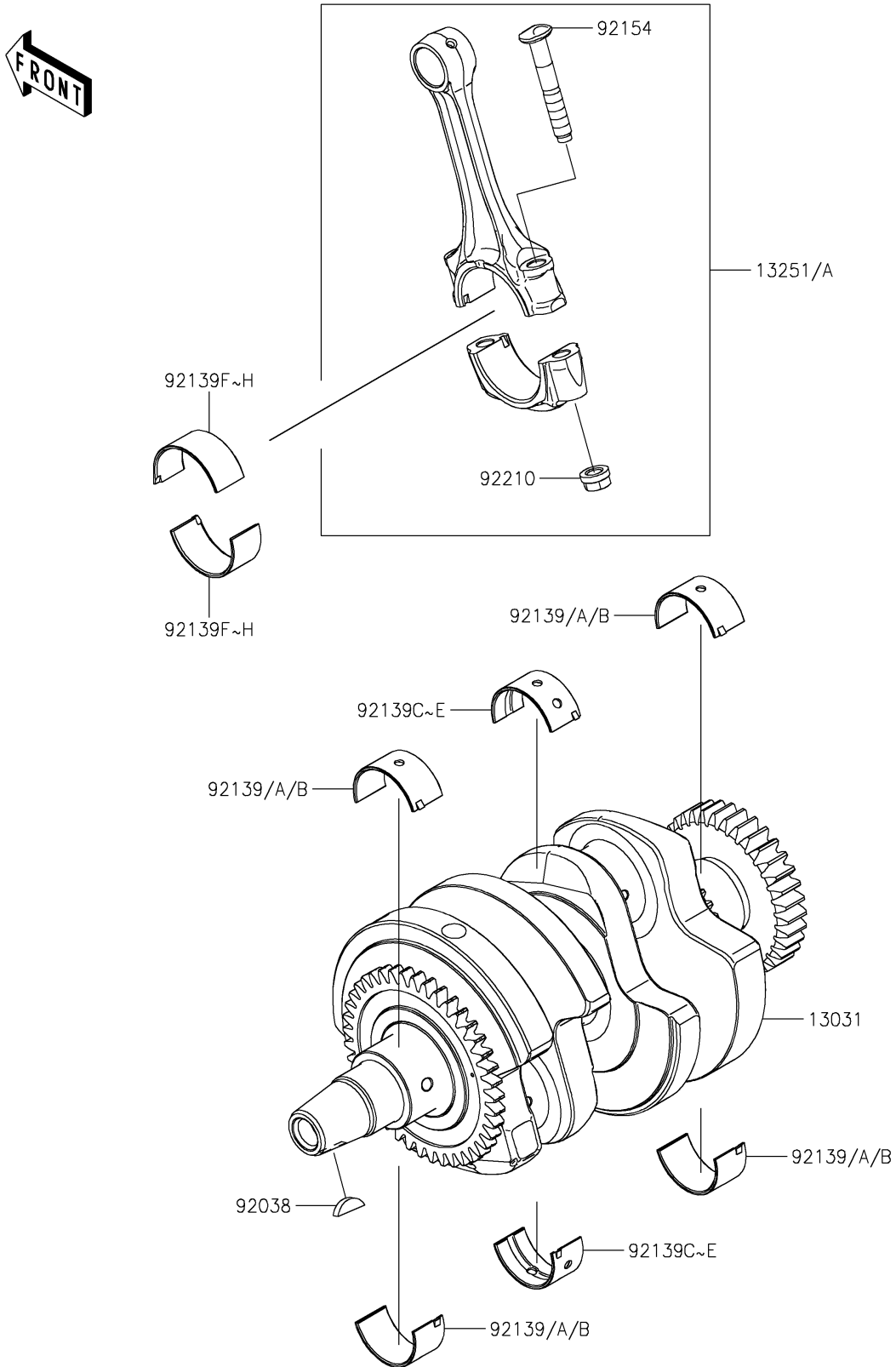


2024 ELIMINATOR®

PARTS DIAGRAM

Crankshaft

E1321



2024 ELIMINATOR®

PARTS LIST

Crankshaft



ITEM NAME	PART NUMBER	QUANTITY
-----------	-------------	----------
