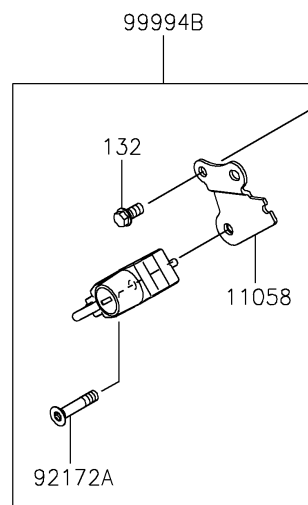
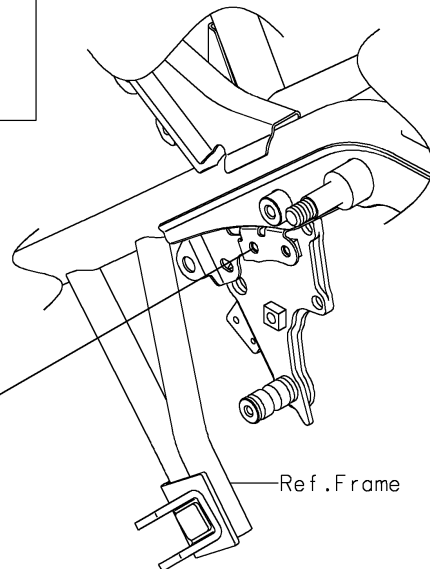
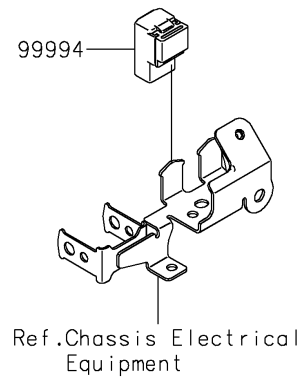
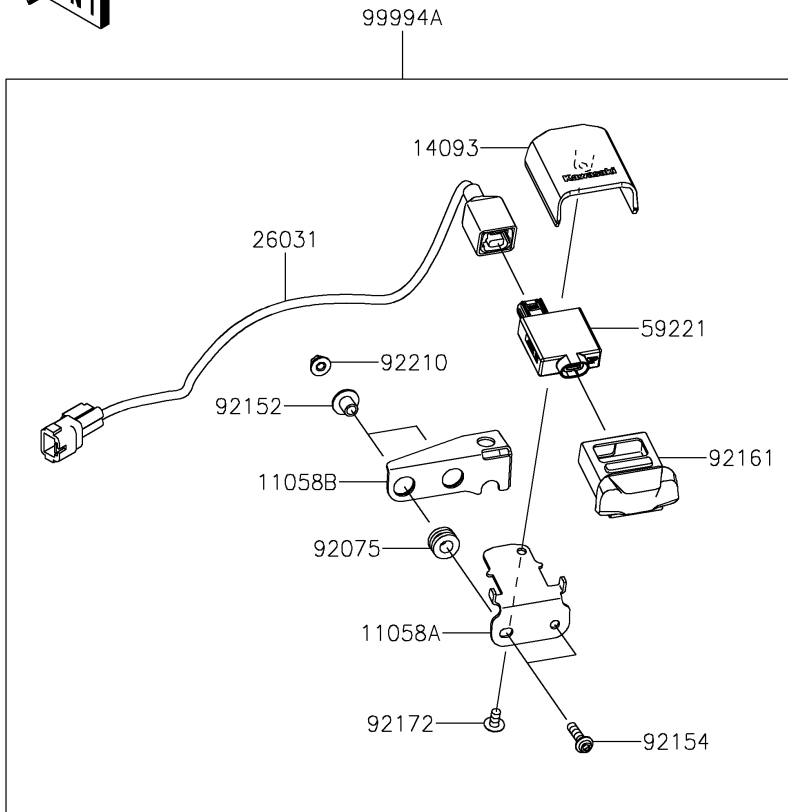


2024 ELIMINATOR® ABS

PARTS DIAGRAM

Accessory(Helmet Lock and USB)

F2910F



2024 ELIMINATOR® ABS

PARTS LIST

Accessory(Helmet Lock and USB)

ITEM NAME

PART NUMBER

QUANTITY
