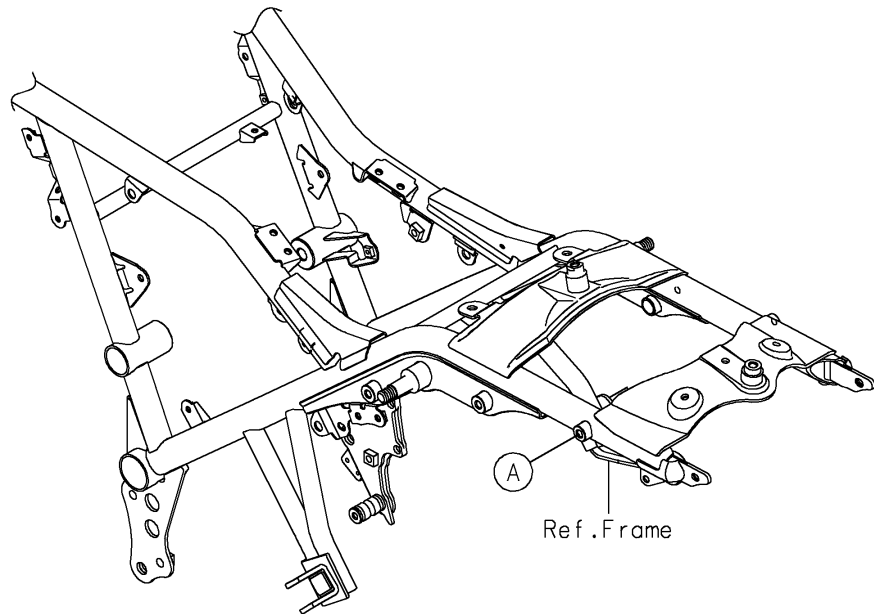


# 2025 Eliminator ABS

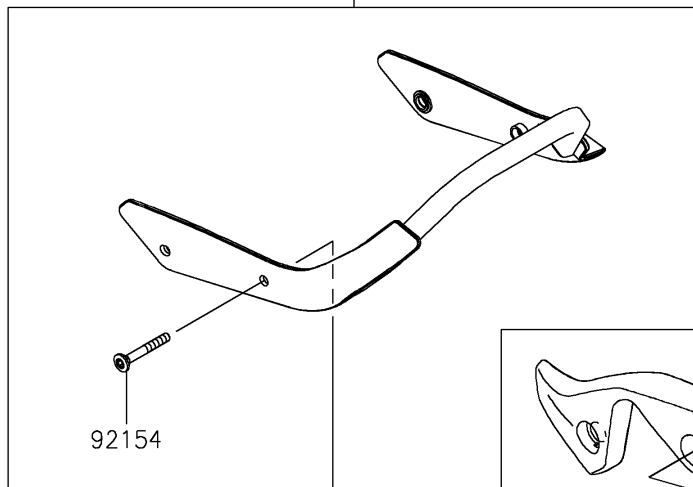
## PARTS DIAGRAM

### Accessory(Grab Bar)

F2910D

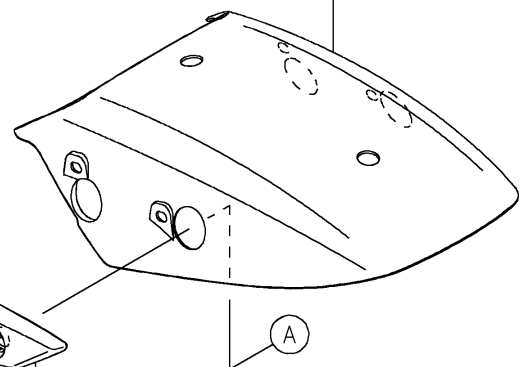


99994



92154

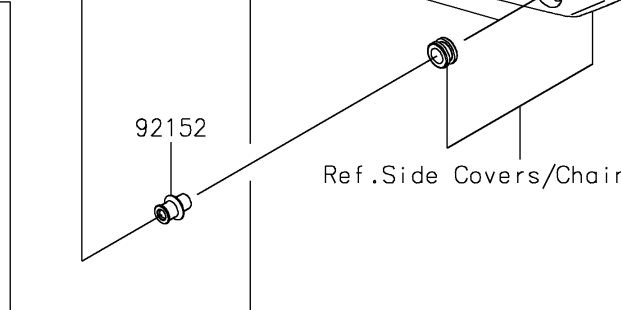
Ref. Rear Fender(s)



A

92152

Ref. Side Covers/Chain Cover



# 2025 Eliminator ABS

## PARTS LIST

Accessory(Grab Bar)

**ITEM NAME**

**PART NUMBER**

**QUANTITY**

---