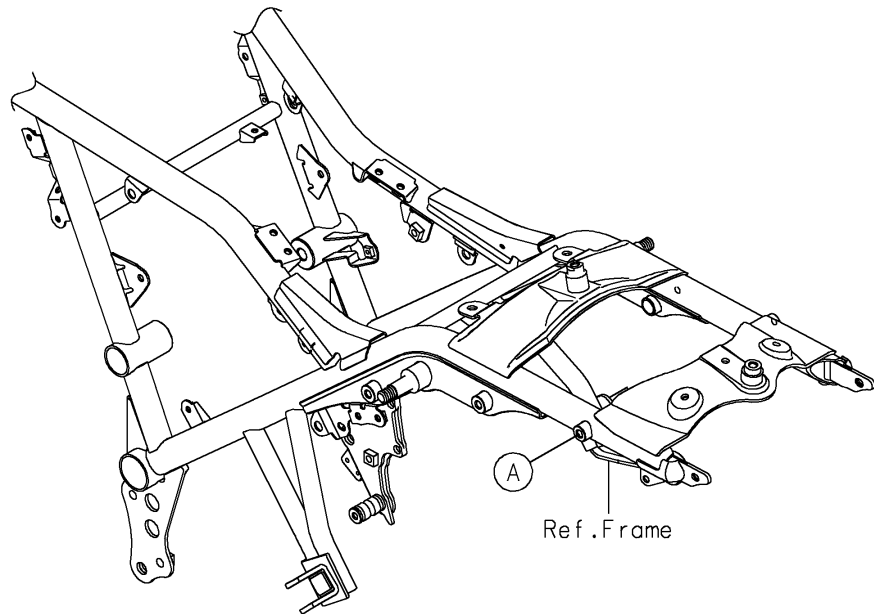


2024 ELIMINATOR® ABS

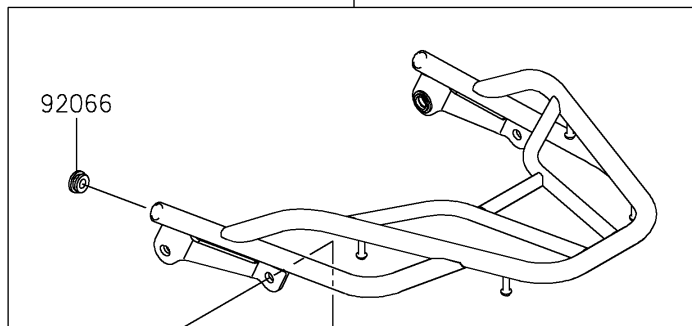
PARTS DIAGRAM

Accessory(Rear Carrier)

F2910C

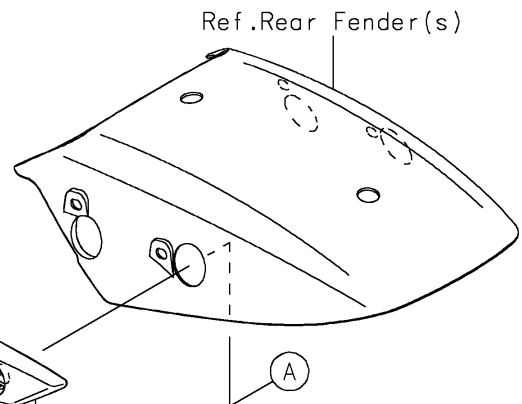


99994

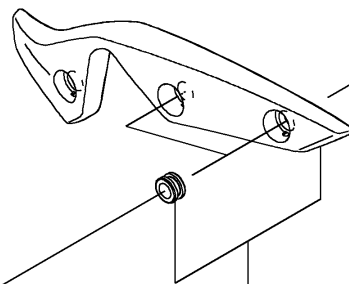


92066

92154



Ref. Rear Fender(s)



Ref. Side Covers/Chain Cover

92152

2024 ELIMINATOR® ABS

PARTS LIST

Accessory(Rear Carrier)

ITEM NAME

PART NUMBER

QUANTITY
