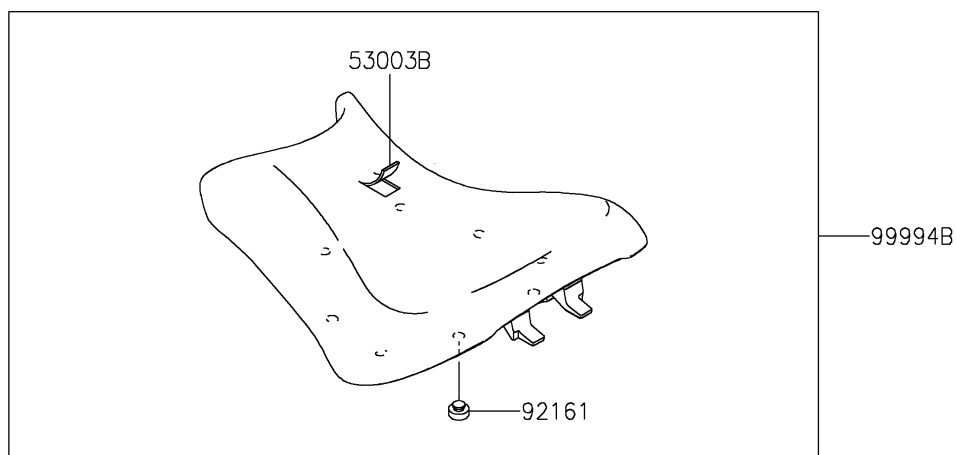
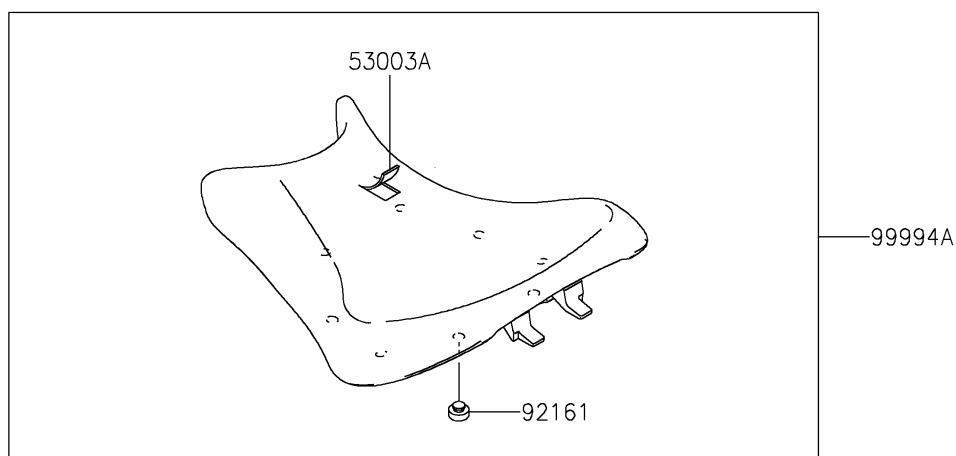
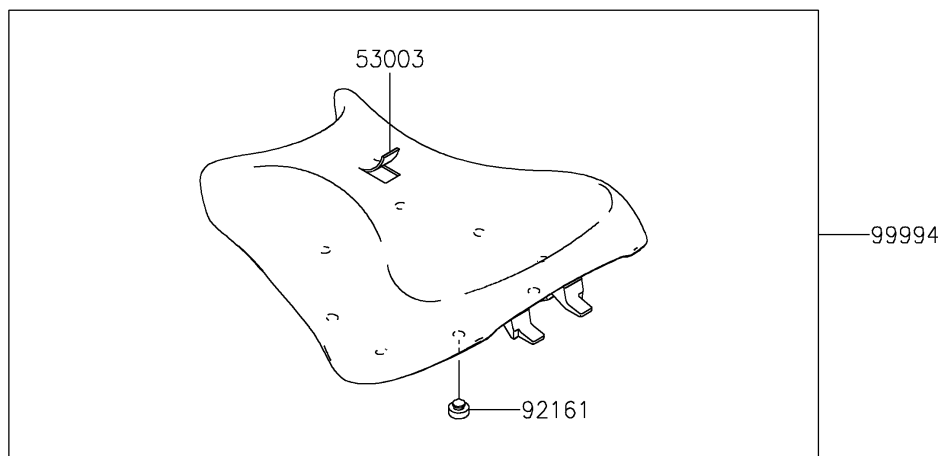


2024 ELIMINATOR® ABS

PARTS DIAGRAM

Accessory(Seat)

F2910B



2024 ELIMINATOR® ABS

PARTS LIST

Accessory(Seat)

ITEM NAME

PART NUMBER

QUANTITY
